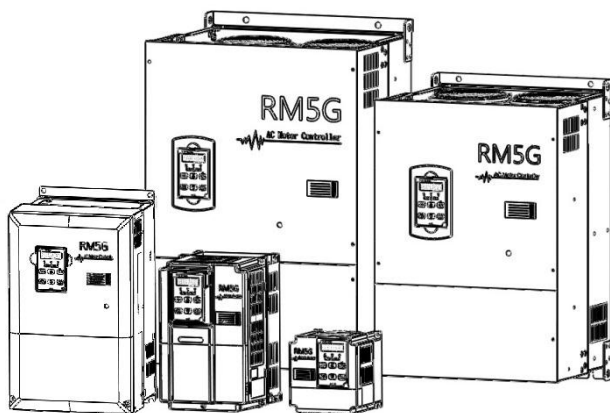


AC MOTOR DRIVE

Operation Manual



RM5G series

Quality • Satisfaction • Improvement • Innovation



 **Rhymebus Corporation**

<http://www.rhymebus.com.tw>

2004.01.09 Edition
2014.02.27 Revised

PREFACE



Thank you for using RHYMEBUS RM5G/P series drive. For proper operations and safety purposes, please do read and follow specific instructions contained in this manual before using the product. The manual shall be placed on the top of the machine, and all the setup parameters and reference numbers must be properly recorded in Attachment 2 to facilitate future maintenance and repairs.


SAFETY PRECAUTION

Please read this manual thoroughly and pay attention to the safety precautions marked with “ **DANGER** ” or “ **CAUTION** ” before the installation, wiring, maintenance, or troubleshooting.


Only the qualified personnel may proceed with the installation, wiring, testing, troubleshooting, or other tasks.

※Qualified Personnel: Must be familiar with the fundamentals, structures, characteristics, operating procedures, and installation, and this personnel must read the manual in details and follow the steps of security measures to prevent possible dangers.

 DANGER	User may cause the casualty or serious damages if user does not abide by the instructions of the manual to execute the tasks.
 CAUTION	User may cause injuries to the people or damage the equipment if user does not abide by the instructions of the manual to execute the tasks.

※Although the “  ” mark may indicate minor damages, serious damages or injuries may be possibly incurred if the caution is not under user’s attention.

Installation

 CAUTION
<p>a. The installation shall take place only on top of the metal surface or any material with the fire resistant. Any place or location of high temperature, moist, oil and gas, cotton fiber, metal powder and erosive gas shall be avoided.</p> <p>b. If the product specification indicates IP00 (the protective level of the equipment structure), any human contact is forbidden to avoid the electric shock. The option of installing AC reactor(ACL) or DC reactor(DCL) shall be very cautious, too.</p> <p>c. Please note the surrounding temperature shall not exceed 50°C (or 40°C for RM5P) when the installation needs to be placed inside the control panel.</p> <p>d. For the environment of storage and installation, please follow the instructions of the environmental conditions illustrated in the sections of the common specification of RM5G and RM5P.</p>

Wiring



DANGER

- a. Do Not conduct any wiring during the system power ON to avoid the electric shock.
- b. R/L1, S/L2, T/L3 are power inputs (electric source terminals) and U/T1, V/T2, W/T3 are drive's outputs connecting to a motor. Please Do Not connect these input and output terminals to P, P \oplus , N, N \ominus , P1 and PR terminals.
- c. Once the wiring is completed, the cover of the drive must be put back and must seal the drive to avoid other's accidental contact.
- d. 100V or 200V series drives must not be connected to the electric source of 346/380/415/440/460/480V.
- e. The main circuit and multi-function terminals cannot connect to ground terminal(PE).
- f. PE \oplus terminal must be exactly grounded. Ground the drive in compliance with the NEC standard or local electrical code.
- g. Please refer to the "**section 2-3-4 Description of Terminals**" for the screwing torque of the wiring terminal.
- h. Please refer to the national or local electric code for the appropriate spec. of the cords and wires.
- i. Please install an appropriate Molded Case Circuit Breaker (MCCB) or Fuse at each path of power lines to a drive.
- j. Please install the thermal relay between the individual motor and the drive when using one drive to propel several motors.
- k. Do Not connect power factor leading capacitor, surge absorber, or non-three-phase motor to drive's U/T1, V/T2, W/T3 side.
- l. AC reactor (ACL) installation is required when the power capacity exceeds 500kVA or 10 times or more than the drive rated capacity.
- m. After power off (30HP below models must wait at least 5 minutes; 40HP~75HP models must wait at least 10 minutes; 100HP above models must wait at least 20 minutes). Do Not touch the drive or perform any unwiring actions before drive indicator light (CHARGE) turns off. Use a multimeter with the DC voltage stage to measure the cross voltage between P(+) and N(-) ports (DC bus voltage must be less than 25V).
- n. When the motor do the voltage-proof, insulation testing, unwiring the U/T1, V/T2, W/T3 terminal of drive at first.




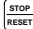
CAUTION

- a. The RM5G/P series are designed to drive a three-phase induction motor. Do Not use for single-phase motor or other purposes.
- b. The main circuit and control circuit must be wired separately; control circuit must use a shielded or twisted-pair shielded wires to avoid possible interferences.

Operation



DANGER

- a. Do Not open or remove the cover while power is on or during the operation. Do close up the cover before powering on the drive. Do Not remove the cover except for wiring or periodic inspection when power off.
- b. At the function F_078=1 or 3, the drive will automatically restart when the power is restored. Stay away from the motor and machine.
- c. At the function F_003=0 and F_001=0 or 1, the  key on keypad is ineffective. Please use an emergency stop switch separately for safe operations.
- d. The drive can produce high frequency outputs. Before adjusting the frequency, please check the specifications of motor carefully to prevent the motor from unexpected damages.
- e. If any of the protective functions have been activated, and the start command is set to terminal control (F_001=0 or 1). First remove the case and check if the all running commands set to OFF. Then press the  key to release the alarm.



CAUTION

- a. Do Not touch the heat sink or brake resistors due to the high heat.
- b. Some models attach nylon rope. Do Not proceed the movement or hanging the drive by this nylon rope to avoid unexpecting accident. Please select a suitable rope to proceed the movement or hanging the drive.

Compliance with UL standards and CSA standards (cUL-listed for Canada)

CAUTION

1. "Risk of Electric Shock"

Before starting or inspection, turn OFF the power and wait at least 5 minutes, and check for residual voltage between terminal P and N with a multimeter or similar instrument has dropped to the safe level (50VDC or below), to avoid a hazard of electric shock.

2. These devices are intended for use in Pollution Degree 2 environments.

3. Maximum surrounding air temperature is 50°C for RM5G series and 40°C for RM5P series.

4. Short circuit rating

"Suitable For Use On A Circuit Capable Of Delivering Not More Than 5000 rms Symmetrical Amperes, 240V Maximum for 200V class." Models RM5G, RM5P rated for 200V class input.

"Suitable For Use On A Circuit Capable Of Delivering Not More Than 5000 rms Symmetrical Amperes, 480V Maximum for 400V class." Models RM5G, RM5P rated for 400V class input.

"Integral solid state short circuit protection does not provide branch circuit protection. Branch circuit protection must be provided in accordance with the National Electrical Code and any additional local codes."

5. Install UL certified branch circuit fuse between the power supply and the drive, referring to the table below.

Single-Phase 200V Series

Model number	Fuse type	Fuse current rating (A)
RM5G-2001/2-1PH	Class RK5 (250Vac, 200kA I.R.)	10
RM5G-2001-1PH		20
RM5G-2002-1PH		50

Compliance with UL standards and CSA standards (cUL-listed for Canada)
 (continued)



Three-Phase 200V Series

Model number	Fuse type	Fuse current rating (A)
RM5G-2001/2	Class RK5 (250Vac, 200kA I.R.)	5
RM5G-2001		10
RM5G-2002		15
RM5G-2003		20
RM5G-2005		30
RM5G-2007	Class T (300Vac, 200kA I.R.)	50
RM5G-2010		80
RM5G-2015		100
RM5P-2010		80
RM5P-2015		100

Three-Phase 400V Series

Model number	Fuse type	Fuse current rating (A)
RM5G-4001	Class RK5 (600Vac, 200kA I.R.)	5
RM5G-4002		10
RM5G-4003		15
RM5G-4005		20
RM5G-4007		30
RM5G-4010	Class T (600Vac, 200kA I.R.)	30
RM5G-4015		40
RM5G-4020		60
RM5P-4010		30
RM5P-4015		40
RM5P-4020	60	

 **CAUTION**

6. Main circuit terminal wiring

"Use 75°C Cu wire only."

"Field wiring connection must be made by a UL Listed and CSA Certified closed loop terminal connector sized for the wire gauge involved. Connector must be fixed using the crimp tool specified by the connector manufacturer."
See table below for main circuit wire size.

200V Class Series

Model number	Wire size AWG (mm ²)		
	Input (R/L1, S/L2, T/L3)	Output (U/T1, V/T2, W/T3)	Grounding
RM5G-2001/2-1PH	16 (1.3)	16 (1.3)	16 (1.3)
RM5G-2001-1PH	12 (3.3)	16 (1.3)	12 (3.3)
RM5G-2002-1PH	12 (3.3)	16 (1.3)	
RM5G-2001/2	16 (1.3)	16 (1.3)	16 (1.3)
RM5G-2001	16 (1.3)	16 (1.3)	
RM5G-2002	14 (2.1)	16 (1.3)	14 (2.1)
RM5G-2003	14 (2.1)	14 (2.1)	
RM5G-2005	10 (5.3)	10 (5.3)	10 (5.3)
RM5G-2007	8 (8.4)	8 (8.4)	
RM5G-2010	6 (13.3)	6 (13.3)	8 (8.4)
RM5G-2015	4 (21.1)	4 (21.1)	
RM5P-2010	6 (13.3)	6 (13.3)	8 (8.4)
RM5P-2015	4 (21.1)	4 (21.1)	

Compliance with UL standards and CSA standards (cUL-listed for Canada)
 (continued)



400V Class Series

Model number	Wire size AWG (mm ²)		
	Input (R/L1, S/L2, T/L3)	Output (U/T1, V/T2, W/T3)	Grounding
RM5G-4001	18 (0.8)	18 (0.8)	18 (0.8)
RM5G-4002	18 (0.8)	18 (0.8)	
RM5G-4003	16 (1.3)	16 (1.3)	16 (1.3)
RM5G-4005	14 (2.1)	14 (2.1)	14 (2.1)
RM5G-4007	12 (3.3)	12 (3.3)	12 (3.3)
RM5G-4010	10 (5.3)	10 (5.3)	10 (5.3)
RM5G-4015	8 (8.4)	10 (5.3)	
RM5G-4020	8 (8.4)	8 (8.4)	
RM5P-4010	10 (5.3)	10 (5.3)	10 (5.3)
RM5P-4015	8 (8.4)	10 (5.3)	
RM5P-4020	8 (8.4)	8 (8.4)	

No Text on This Page

INTRODUCTIONS

Features

- a. RM5G series are suitable for the constant torque load, like mixer, conveyor, etc.
- b. RM5P series are suitable for variable torque load, like fan, pump, etc.
- c. RM5G series designed for heavy-duty load applications. Overload capability is 150% drive's rated output current for 1 min.
- d. RM5P series designed for light-duty load applications. Overload capability is 120% drive's rated output current for 1 min.
- e. Energy-saving setting for light-duty load.
- f. The analog input signal filter has the adjustable function.
- g. The analog input signal with addition, subtraction, and multiplication functions can select V or F for the independent adjustment.
- h. The responding time of the digital input signal is adjustable (5 ~ 16 ms).
- i. 6 digit 7-segment display can exhibit 8 different statuses (frequency, speed, voltage, current, etc.).
- j. Programmable input and output terminals. The input signal can be switched as SINK/SOURCE mode.
- k. Two sets of programmable relays.
- l. Two types of keypads. (digital type: KP-201C; analog type: KP-202)
- m. Drive can connect 3 sets of individual display (DM-501) to display operating status.
- n. Running hours and supply power time of drive can be recorded.
- o. The drive can control and start the synchronous motor.
- p. The switching frequency can be adjusted between 800Hz ~ 15kHz.
- q. Adjustable accel/decel time from 0.015sec up to 222days.

TABLE OF CONTENTS

Chapter 1 Cautions Before Installation	1
1-1 Product Verification	1
1-1-1 Confirmation of Appearance	1
1-1-2 The description of nomenclature:.....	1
1-1-3 Confirmation of Accessories	2
1-2 RM5G Standard Specifications	2
1-2-1 Single-Phase 100V Series	2
1-2-2 Single-Phase 200V Series	3
1-2-3 Three-Phase 200V Series.....	3
1-2-4 Three-Phase 400V Series.....	5
1-3 RM5P Standard Specifications	7
1-3-1 Three-Phase 200V Series.....	7
1-3-2 Three-Phase 400V Series.....	8
1-4 The Features of Control and Operation	10
1-4-1 RM5G Series	10
1-4-2 RM5P Series	13
Chapter 2 Installation and Confirmation	17
2-1 Basic Equipment	17
2-2 Installing the Drive	17
2-3 Descriptions of Terminal and Wiring Diagram	21
2-3-1 Wiring Diagram.....	21
2-3-2 SINK / SOURCE Definition	27
2-3-3 Using a PLC Circuit	27
2-3-4 Description of Terminals	28
2-3-5 Control Board	35
2-3-6 Wiring Cautions and Specifications.....	37
Chapter 3 The Setting of Keypad	41
3-1 Digital Type Keypad (KP-201C) for RM5G/P	41
3-2 Analog Type Keypad (KP-202) for RM5G/P	41
3-2-1 Description of Switches and Pot Knob	42
3-2-2 Description of DIP Switches.....	44
3-3 Status of Multi-Function Input/Output Terminals and DIP Switch	44
3-3-1 DIP Switch.....	44
3-3-2 Multi-function Input/Output Terminals.....	44
3-4 The Operation of Keypad (KP-201C) and Monitor Mode	45
3-4-1 Operation of Keypad.....	45
3-4-2 Description of Monitor Mode	46
3-4-3 Description of Function Setting Mode.....	47
3-4-4 Description of Parameter Setting Mode.....	47
3-4-5 Operation at Monitor Mode	48
3-4-6 Start / Stop Operation of Drive	48
3-4-7 Parameter Copy; Restore Default Value; Save/Restore Setting Value ..	49
Chapter 4 Parameter List	53
Chapter 5 Parameter Setting Description	64
A. The Keypad Setup	64

B. Preset Speed Setup	70
C. Multi-Speed Accel./Decel. Time Setup	72
D. V/F Pattern Setup	74
E. Analog Input Command Setup	76
F. The Upper and Lower Frequency Limit Setup	81
G. Analog Output Setup	82
H. Motor Protection Setup	84
I. Multi-Function Input Setup	85
J. Multi-Function Outputs Setup	92
K. Frequency Detection	97
L. Automatic Torque Compensation	97
M. Overload Detection Setup	97
N. Stall Prevention Setup	99
O. DC Braking Setup	100
P. Drive Status after Power Failure	101
Q. Jump Frequency	103
R. Speed Tracing	103
S. Holding Frequency and Time Interval	104
T. External Indicators	104
U. Other Functions	105
V. Function Selection of KP-202 Keypad	108
Chapter 6 Operation Procedures and Fault Protection	112
6-1 Operation Procedures.....	112
6-2 Fault Protection Display and Troubleshooting.....	114
Appendix A Peripheral Equipment of Drive	120
Appendix B Motor Selection and Insulation Measurement	121
a. Standard Motor	121
b. Special Motors.....	121
c. Insulation Measurement of Drive and Motor	122
1. Measure the drive insulation impedance	122
2. Measure the motor insulation impedance	122
Appendix C Instruction of Drive Charging	123
Appendix D Dynamic Brake Unit and Braking Resistor	124
a. Braking transistor is installed in the following models	124
b. Outline of braking resistor (option).....	124
c. Rated specification of braking resistor	124
d. Recommending specification of braking resistor	125
AC 200V Series	125
AC 400V Series	126
e. Recommending specification of dynamic brake unit (DBU6) and braking resistor	127
AC 200V Series	127
AC 400V Series	127

f. Wiring Diagram of External Braking Resistor and Thermal Switch	128
g. Wiring Diagram of External Dynamic Brake Unit(DBU6) and Thermal Switch	130
Appendix E Selection of Reactor	132
AC Reactor (ACL) Specifications	133
DC Reactor (DCL) Specifications	134
Outline dimensions of AC reactor (ACL)	135
Outline dimensions of DC reactor (DCL)	136
Appendix F Selection of Zero-Phase Radio Frequency Filter	137
Appendix G Selection of EMC Filter	141
Appendix H Instruction of Remote Controller and External Display	143
a. Remote controller	143
b. External display: DM-501	145
Appendix I Outline Dimension Drawing of Drives	146
Appendix J Auxiliary Controller (ACE-S Series).....	150
Attachment 1 Dimension of Keypad (KP-201C, KP-202).....	153
Attachment 2 Setting Memo	154
Attachment 3 Fault Display	157



Chapter 1 Cautions Before Installation

1-1 Product Verification

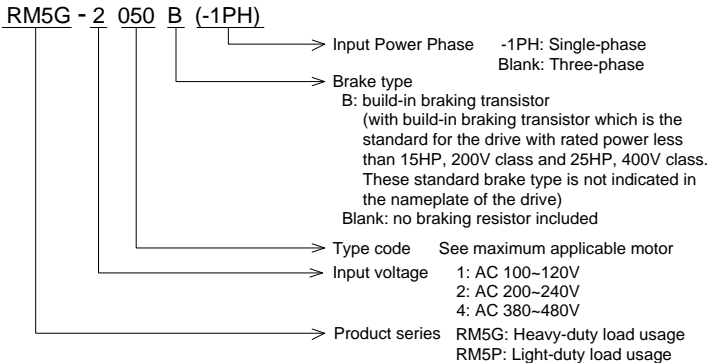
The product has passed the strictest quality test before shipped out from the factory. However, the product might possibly sustain minor damages due to the impact, shaking, vibration, and other factors during the transportation. Please make sure to verify the following items after receiving this product. If the product verification finds anything abnormal, please contact the agent immediately for the further assistance.

1-1-1 Confirmation of Appearance

1. Check up the specifications at shipping label on the carton is identical with the nameplate of drive.
2. Check up the appearance of drive for any paint chipped off, smearing, deformation of shape, etc.
3. Check up the nameplate (as below example by RM5G-2050) of the drive to verify the product descriptions with the order specification.

		ISO 9001 IP20	
Model Number	→ TYPE	RM5G-2050	
Input Power Specs	→ INPUT	3PH 200-240V 176A 50/60Hz	
Output Current & Capability	→ OUTPUT	3PH 200-240V 145A 0.1-400.0Hz	
Software Number	→ PGM NO.	103F4-1(AZXXXXXX)	
Product Serial Number	→ SERIAL NO.	BXXXXXXXXX	
		 Rhymebus Corporation, TAIWAN	

1-1-2 The description of nomenclature:



Chapter 1 Cautions Before Installation

Maximum Applicable Motor (HP/Kw)

Type code	Horse power	Type code	Horse power	Type code	Horse power	Type code	Horse power
001/2	0.5	015	15	075	75	300	300
001	1	020	20	100	100	350	350
002	2	025	25	125	125	420	420
003	3	030	30	150	150	500	500
005	5	040	40	175	175	600	600
007	7.5	050	50	200	200	700	700
010	10	060	60	250	250	—	—

1-1-3 Confirmation of Accessories

One operation manual is inclusive. Please verify other accessories inclusively such as braking resistor, AC reactor, etc..

※Please refer to the standard specifications to verify the product specifications with your requirements.

1-2 RM5G Standard Specifications

1-2-1 Single-Phase 100V Series

Model name (RM5G-□□□□-1PH)	1001/2	1001	1002
Maximum applicable motor (HP / kW)	0.5/0.4	1/0.75	1.5/1.1
Rated output capability (kVA)	1	1.6	2.3
Rated output current (A)	2.5	4.2	6
Rated output voltage (V)	Three-phase 200~240V		
Range of output frequency (Hz)	0.1~400.00Hz		
Power source (ϕ , V, Hz)	Single-phase 100~120V 50/60Hz		
Input current (A)	8.8	18	24
Permissible AC power source fluctuation	90~132V 50/60Hz / $\pm 5\%$		
Overload protection	150% of drive rated output current for 1 min.		
Cooling method	Nature cooling		Fan cooling
Applicable safety standards	—		
Protective structure	IP20		
Weight / Mass(kg)	1.7	1.8	1.8

Chapter 1 Cautions Before Installation

1-2-2 Single-Phase 200V Series

Model name (RM5G-□□□□-1PH)	2001/2	2001	2002
Maximum applicable motor (HP / kW)	0.5/0.4	1/0.75	2/1.5
Rated output capability (kVA)	1.1	1.9	3
Rated output current (A)	3	5	8
Rated output voltage (V)	Three-phase 200~240V		
Range of output frequency (Hz)	0.1~400.00Hz		
Power source (ϕ , V, Hz)	Single-phase 200~240V 50/60Hz		
Input current (A)	7	13.5	19
Permissible AC power source fluctuation	176~264V 50/60Hz / $\pm 5\%$		
Overload protection	150% of drive rated output current for 1 min.		
Cooling method	Nature cooling		Fan cooling
Applicable safety standards	UL508C, CSA C22.2 No. 14-05		
Protective structure	IP20, UL open type		
Weight / Mass(kg)	1.8	1.9	2

※Please refer to page 112 for the single-phase application of 220V.

1-2-3 Three-Phase 200V Series

Model name (RM5G-□□□□)	2001/2	2001	2002	2003	2005	2007	2010	2015
Maximum applicable motor (HP / kW)	0.5/0.4	1/0.75	2/1.5	3/2.2	5/3.7	7.5/5.5	10/7.5	15/11
Rated output capability (kVA)	1.1	1.9	3	4.2	6.5	9.5	13	18
Rated output current (A)	3	5	8	11	17	25	33	46
Rated output voltage (V)	Three-phase 200~240V							
Range of output frequency (Hz)	0.1~400.00Hz							
Power source (ϕ , V, Hz)	Three-phase 200~240V 50/60Hz							
Input current (A)	5	6	10	14	18	30	40	60
Permissible AC power source fluctuation	176~264V 50/60Hz / $\pm 5\%$							
Overload protection	150% of drive rated output current for 1 min.							
Cooling method	Nature cooling			Fan cooling				
Applicable safety standards	UL508C, CSA C22.2 No.14-05							
Protective structure	IP20, UL open type							
Weight / Mass(kg)	1.8	1.8	1.9	2	2.1	5.3	5.4	5.7

Chapter 1 Cautions Before Installation

Model name (RM5G-□□□□)	2020	2025	2030	2040	2050	2060	2075	2100
Maximum applicable motor (HP / kW)	20/15	25/18.5	30/22	40/30	50/37	60/45	75/55	100/75
Rated output capability (kVA)	23	28	34	44	55	67	84	112
Rated output current (A)	60	74	90	115	145	175	220	295
Rated output voltage (V)	Three-phase 200~240V							
Range of output frequency (Hz)	0.1~400.00Hz							
Power source (ϕ , V, Hz)	Three-phase 200~240V 50/60Hz							
Input current (A)	69	85	103	132	176	200	240	280
Permissible AC power source fluctuation	176~264V 50/60Hz / $\pm 5\%$							
Overload protection	150% of drive rated output current for 1 min.							
Cooling method	Fan cooling							
Applicable safety standards	-							
Protective structure	IP20				IP00 (IP20 OPTION)			
Weight / Mass(kg)	16	16	16	17	40	41	44	61

Model name (RM5G-□□□□)	2125	2150	2200	2250	-	-
Maximum applicable motor (HP / kW)	125/90	150/110	200/160	250/200	-	-
Rated output capability (kVA)	132	154	223	267	-	-
Rated output current (A)	346	405	585	700	-	-
Rated output voltage (V)	Three-phase 200~240V					
Range of output frequency (Hz)	0.1~400.00Hz					
Power source (ϕ , V, Hz)	Three-phase 200~240V 50/60Hz					
Input current (A)	330	380	550	660	-	-
Permissible AC power source fluctuation	176~264V 50/60Hz / $\pm 5\%$					
Overload protection	150% of drive rated output current for 1 min.					
Cooling method	Fan cooling					
Applicable safety standards	-					
Protective structure	IP00 (IP20 OPTION)					
Weight / Mass(kg)	89	90	164	167	-	-

Chapter 1 Cautions Before Installation

1-2-4 Three-Phase 400V Series

Model name (RM5G-□□□□)	4001	4002	4003	4005	4007	4010	4015	4020
Maximum applicable motor (HP / kW)	1/0.75	2/1.5	3/2.2	5/3.7	7.5/5.5	10/7.5	15/11	20/15
Rated output capability (kVA)	1.9	3	4.6	6.9	11	14	18	23
Rated output current (A)	2.5	4	6	9	14	18	24	30
Rated output voltage (V)	Three-phase 380~480V							
Range of output frequency (Hz)	0.1~400.00Hz							
Power source (ϕ , V, Hz)	Three-phase 380~480V 50/60Hz							
Input current (A)	3.5	5	8	12	16	22	28	38
Permissible AC power source fluctuation	332~528V 50/60Hz / $\pm 5\%$							
Overload protection	150% of drive rated output current for 1 min.							
Cooling method	Nature cooling	Fan cooling						
Applicable safety standards	UL508C				UL508C, CSA C22.2 No.14-05			
Protective structure	IP20, UL open type							
Weight / Mass(kg)	1.8	1.9	2	2	5.3	5.4	5.6	5.7

Model name (RM5G-□□□□)	4025	4030	4040	4050	4060	4075	4100	4125
Maximum applicable motor (HP / kW)	25/18.5	30/22	40/30	50/37	60/45	75/55	100/75	125/90
Rated output capability (kVA)	30	34	46	56	66	84	114	134
Rated output current (A)	39	45	61	73	87	110	150	176
Rated output voltage (V)	Three-phase 380~480V							
Range of output frequency (Hz)	0.1~400.00Hz							
Power source (ϕ , V, Hz)	Three-phase 380~480V 50/60Hz							
Input current (A)	45	52	70	84	100	130	155	177
Permissible AC power source fluctuation	332~528V 50/60Hz / $\pm 5\%$							
Overload protection	150% of drive rated output current for 1 min.							
Cooling method	Fan cooling							
Applicable safety standards	—							
Protective structure	IP20					IP00 (IP20 OPTION)		
Weight / Mass(kg)	5.8	16	16	17	18	44	45	47

Chapter 1 Cautions Before Installation

Model name (RM5G-□□□□)	4150	4175	4200	4250	4300	4350	4420	4500	4600
Maximum applicable motor (HP / kW)	150/ 110	175/ 132	200/ 160	250/ 200	300/ 220	350/ 250	420/ 315	500/ 375	600/ 450
Rated output capability (kVA)	160	193	232	287	316	366	446	533	655
Rated output current (A)	210	253	304	377	415	480	585	700	860
Rated output voltage (V)	Three-phase 380~480V								
Range of output frequency (Hz)	0.1~400.00Hz								
Power source (ϕ , V, Hz)	Three-phase 380~480V 50/60Hz								
Input current (A)	196	217	282	355	385	440	540	650	800
Permissible AC power source fluctuation	332~528V 50/60Hz / $\pm 5\%$								
Overload protection	150% of drive rated output current for 1 min.								
Cooling method	Fan cooling								
Applicable safety standards	—								
Protective structure	IP00 (IP20 OPTION)								
Weight / Mass(kg)	65	91	95	97	159	163	164	217	272

※The weight illustrated in the standard specifications of RM5G does not include the weights of AC reactor (ACL) and DC reactor (DCL).

1-3 RM5P Standard Specifications

1-3-1 Three-Phase 200V Series

Model name (RM5P-□□□□)	2010	2015	2020	2025	2030	2040	2050
Maximum applicable motor (HP / kW)	10/7.5	15/11	20/15	25/18.5	30/22	40/30	50/37
Rated output capability (kVA)	12	16	22	28	34	43	55
Rated output current (A)	31	41	58	74	90	112	144
Rated output voltage (V)	Three-phase 200~240V						
Range of output frequency (Hz)	0.1~120.00Hz						
Power source (ϕ , V, Hz)	Three-phase 200~240V 50/60Hz						
Input current (A)	41	55	66	85	103	128	176
Permissible AC power source fluctuation	176~264V 50/60Hz / $\pm 5\%$						
Overload protection	120% of drive rated output current for 1 min.						
Cooling method	Fan cooling						
Applicable safety standards	UL508C, CSA C22.2 No.14-05		—				
Protective structure	IP20, UL open type		IP20				
Weight / Mass(kg)	5.3	5.4	5.7	16	16	16	17

Model name (RM5P-□□□□)	2060	2075	2100	2125	2150	2200	2250
Maximum applicable motor (HP / kW)	60/45	75/55	100/75	125/90	150/110	200/160	250/200
Rated output capability (kVA)	67	83	105	132	154	223	267
Rated output current (A)	175	218	275	346	405	585	700
Rated output voltage (V)	Three-phase 200~240V						
Range of output frequency (Hz)	0.1~120.00Hz						
Power source (ϕ , V, Hz)	Three-phase 200~240V 50/60Hz						
Input current (A)	200	240	280	330	380	550	660
Permissible AC power source fluctuation	176~264V 50/60Hz / $\pm 5\%$						
Overload protection	120% of drive rated output current for 1 min.						
Cooling method	Fan cooling						
Applicable safety standards	—						
Protective structure	IP00 (IP20 OPTION)						
Weight / Mass(kg)	40	41	44	61	89	164	164

Chapter 1 Cautions Before Installation

1-3-2 Three-Phase 400V Series

Model name (RM5P-□□□□)	4010	4015	4020	4025	4030	4040	4050	4060
Maximum applicable motor (HP / kW)	10/7.5	15/11	20/15	25/18.5	30/22	40/30	50/37	60/45
Rated output capability (kVA)	13	17	23	28	34	43	56	66
Rated output current (A)	17	22	30	37	45	56	73	87
Rated output voltage (V)	Three-phase 380~480V							
Range of output frequency (Hz)	0.1~120.00Hz							
Power source (ϕ , V, Hz)	Three-phase 380~480V 50/60Hz							
Input current (A)	20	25	43	45	52	64	84	100
Permissible AC power source fluctuation	332~528V 50/60Hz / $\pm 5\%$							
Overload protection	120% of drive rated output current for 1 min.							
Cooling method	Fan cooling							
Applicable safety standards	UL508C, CSA C22.2 No.14-05			—				
Protective structure	IP20, UL open type			IP20				
Weight / Mass(kg)	5.4	5.6	5.7	5.7	5.8	16	16	17

Model name (RM5P-□□□□)	4075	4100	4125	4150	4175	4200	4250	4300
Maximum applicable motor (HP / kW)	75/55	100/75	125/90	150/110	175/132	200/160	250/200	300/220
Rated output capability (kVA)	82	105	134	160	193	232	287	316
Rated output current (A)	108	138	176	210	253	304	377	415
Rated output voltage (V)	Three-phase 380~480V							
Range of output frequency (Hz)	0.1~120.00Hz							
Power source (ϕ , V, Hz)	Three-phase 380~480V 50/60Hz							
Input current (A)	130	155	177	196	217	282	355	385
Permissible AC power source fluctuation	332~528V 50/60Hz / $\pm 5\%$							
Overload protection	120% of drive rated output current for 1 min.							
Cooling method	Fan cooling							
Applicable safety standards	—							
Protective structure	IP20	IP00 (IP20 OPTION)						
Weight / Mass(kg)	18	44	45	47	65	91	95	97

Chapter 1 Cautions Before Installation

Model name (RM5P-□□□□)	4350	4420	4500	4600	4700	—	—	—
Maximum applicable motor (HP / kW)	350/250	420/315	500/375	600/450	700/500	—	—	—
Rated output capability (kVA)	366	396	533	655	732	—	—	—
Rated output current (A)	480	520	700	860	960	—	—	—
Rated output voltage (V)	Three-phase 380~480V							
Range of output frequency (Hz)	0.1~120.00Hz							
Power source (ϕ , V, Hz)	Three-phase 380~480V 50/60Hz							
Input current (A)	440	540	650	800	900	—	—	—
Permissible AC power source fluctuation	332~528V 50/60Hz / $\pm 5\%$							
Overload protection	120% of drive rated output current for 1 min.							
Cooling method	Fan cooling							
Applicable safety standards	—							
Protective structure	IP00 (IP20 OPTION)							
Weight / Mass(kg)	159	163	217	217	272	—	—	—

※The weight illustrated in the standard specifications of RM5P does not include the weights of AC reactor (ACL) and DC reactor (DCL).

Chapter 1 Cautions Before Installation

1-4 The Features of Control and Operation

1-4-1 RM5G Series

Control Characteristics	Control method	<ul style="list-style-type: none"> • Voltage vector sinusoidal PWM control (V/F control). • Switching frequency: 800Hz~16kHz.
	Range of frequency setting	0.1~400.00Hz
	Resolution of frequency setting	<ul style="list-style-type: none"> • Digital Keypad (KP-201C): 0.01Hz • Analog signal: 0.06Hz / 60Hz
	Resolution of output frequency	0.01Hz
	Frequency setting signal	DC 0~10V, 4~20mA
	Overload protection	150% of drive rated output current for 1 minute.
	DC braking	<ul style="list-style-type: none"> • Time of DC braking after stop / before start: 0~60.0sec • DC braking frequency at stop: 0.1~60Hz • DC braking level: 0~150% of rated current
	Braking torque	Approximately 20%. (built-in brake transistor series drives are 100% above)
	Acceleration/ deceleration time	<ul style="list-style-type: none"> • 0sec (coast to stop), 0.0~3200.0sec (independent setting of the acceleration / deceleration). • The setting of acceleration time from 0Hz to 60Hz is 0.015sec ~ 19,200,000sec (222days). • The setting of deceleration time from 60Hz to 0Hz is 0.015sec ~ 19,200,000sec (222days).
	V/F pattern	<ul style="list-style-type: none"> • Linear, Energy-saving mode (auto-adjust V/F pattern according to the load condition), Square curve, 1.7th power curve, 1.5th power curve. • V/F pattern (2 V/F points). • V/F pattern can be adjusted by analog input (Variable voltage (V) adjustment of V/F pattern for acceleration / deceleration).
Other functions	slip compensation, auto-torque compensation, auto-adjustment for output voltage stability, auto-operation for energy-saving, auto-adjustment of switching frequency, restart after instantaneous power failure, speed tracing, overload detection, acceleration/deceleration switch, parameters copy	

Chapter 1 Cautions Before Installation

Operation Characteristics	Input	Start method	Forward (FWD) / reverse (REV) rotation, 3-wire self-holding FWD/REV control, or 9-speed control can be selected
		Multi-function inputs	6 sets programmable input terminals: X1~X6
			Refer to the function setting description of F_052~F_057
	Analog inputs	<ul style="list-style-type: none"> • Vin – GND: DC 0~10V • Iin – GND: DC 4~20mA / 2~10V or DC 0~20mA / 0~10V Refer to the function setting description of F_040, F_041, and F_126 ~ F_128	
Output	Multi-function outputs	4 sets programmable output detection: Ta2~Tc2, Ta1~Tb1~Tc1, Y1~CME, Y2~CME	
		Refer to the function setting description of F_058~F_060, and F_131	
Analog outputs	Analog outputs	<ul style="list-style-type: none"> • “FM+” – “M-“ : DC 0~10V • “AM+” – “M-“ : DC 0~10V 	
		Refer to the function setting description of F_044, F_045, F_129, F_130	
Display	Keypad (KP-201C)		output frequency, frequency command, output voltage, DC bus voltage, output current, motor speed (RPM), machine speed (MPM), terminal status.
	External indicator (DM-501)		Independent external display can be added for up to three sets(96mm * 48mm, 5 digits) to show output frequency, frequency command, output voltage, DC bus voltage, output current, motor speed (RPM), machine speed (MPM), terminal status.
Protections	Fault protection	Error trip messages of drive	EEPROM error(EEr), A/D converter error(AdEr), Fuse open(SC), Under voltage during operation(LE1), Drive over current(OC), Grounding fault (GF), Over voltage(OE), Drive overheating(OH), Motor overload(OL), Drive overload(OL1), System overload(OLO), External fault(thr), KP-202 Keypad interruption during operation(PAdF)
		Warning messages of drive	Power source under voltage(LE), Drive output interruption (bb), Coast to stop(Fr), Dynamic brake transistor over voltage(db), Keypad cable trip before connecting(Err_00), Keypad cable trip during operation(Err_01)
	Cooling method		<ul style="list-style-type: none"> • Nature cooling: 1001/2, 1001, 2001/2, 2001, 4001 models. • Fan cooling: Force air cooling

Chapter 1 Cautions Before Installation

Environment	Atmosphere	Non-corrosive or non-conductive, or non-explosive gas or liquid, and non-dusty
	Surrounding temperature	-10°C (14°F) ~ +50°C (122°F) (Non-freezing and non-condensing)
	Storage temperature	-20°C (-4°F) ~ +60°C (149°F)
	Relative humidity	90% RH or less (No-condensing atmosphere)
	Vibration	Less than 5.9m/sec ² (0.6G)
	Altitude	Less than 1000m (3280 ft.)

Chapter 1 Cautions Before Installation

1-4-2 RM5P Series

Control Characteristics	Control method	<ul style="list-style-type: none"> Voltage vector sinusoidal PWM control (V/F control). Switching frequency: 800Hz~16kHz.
	Range of frequency setting	0.1~120.00Hz
	Resolution of frequency setting	<ul style="list-style-type: none"> Digital Keypad (KP-201C): 0.01Hz Analog signal: 0.06Hz / 60Hz
	Resolution of output frequency	0.01Hz
	Frequency setting signal	DC 0~10V, 4~20mA
	Overload protection	120% of drive rated output current for 1 minute.
	DC braking	<ul style="list-style-type: none"> Time of DC braking after stop / before start: 0~60.0sec DC braking frequency at stop: 0.1~60Hz DC braking level: 0~150% of rated current
	Braking torque	Approximately 20%. (built-in brake transistor series drives are 100% above)
	Acceleration/ deceleration time	<ul style="list-style-type: none"> 0sec (coast to stop), 0.0~3200.0sec (independent setting of the acceleration / deceleration). The setting of acceleration time from 0Hz to 60Hz is 0.015sec ~ 19,200,000sec (222days). The setting of deceleration time from 60Hz to 0Hz is 0.015sec ~ 19,200,000sec (222days).
	V/F pattern	<ul style="list-style-type: none"> Linear, Energy-saving mode (auto-adjust V/F pattern according to the load condition), Square curve, 1.7th power curve, 1.5th power curve. V/F pattern (2 V/F points). V/F pattern can be adjusted by analog input (Variable voltage (V) adjustment of V/F pattern for acceleration / deceleration).
Other functions	slip compensation, auto-torque compensation, auto-adjustment for output voltage stability, auto-operation for energy-saving, auto-adjustment of switching frequency, restart after instantaneous power failure, speed tracing, overload detection, acceleration/deceleration switch, parameters copy	

Chapter 1 Cautions Before Installation

Operation Characteristics	Input	Start method	Forward (FWD) / reverse (REV) rotation, 3-wire self-holding FWD/REV control, or 9-speed control can be selected
		Multi-function inputs	6 sets programmable input terminals: X1~X6
			Refer to the function setting description of F_052~F_057
	Analog inputs	<ul style="list-style-type: none"> • Vin – GND: DC 0~10V • Iin – GND: DC 4~20mA / 2~10V or DC 0~20mA / 0~10V 	
		Refer to the function setting description of F_040, F_041, and F_126 ~ F_128	
	Output	Multi-function outputs	4 sets programmable output detection: Ta2~Tc2, Ta1~Tb1~Tc1, Y1~CME, Y2~CME
Refer to the function setting description of F_058~F_060, and F_131			
Analog outputs		<ul style="list-style-type: none"> • “FM+” – “M-” : DC 0~10V • “AM+” – “M-” : DC 0~10V 	
Display	Keypad (KP-201C)	output frequency, frequency command, output voltage, DC bus voltage, output current, motor speed (RPM), machine speed (MPM), terminal status.	
	External indicator (DM-501)	Independent external display can be added for up to three sets(96mm * 48mm, 5 digits) to show output frequency, frequency command, output voltage, DC bus voltage, output current, motor speed (RPM), machine speed (MPM), terminal status.	
Protections	Fault protection	Error trip messages of drive	EEPROM error(EEr), A/D converter error(AdEr), Fuse open(SC), Under voltage during operation(LE1), Drive over current(OC), Grounding fault (GF), Over voltage(OE), Drive overheating(OH), Motor overload(OL), Drive overload(OL1), System overload(OLO), External fault(thr), KP-202 Keypad interruption during operation(PAdF)
		Warning messages of drive	Power source under voltage(LE), Drive output interruption (bb), Coast to stop(Fr), Dynamic brake transistor over voltage(db), Keypad cable trip before connecting(Err_00), Keypad cable trip during operation(Err_01)
	Cooling method	Fan cooling	

Chapter 1 Cautions Before Installation

Environment	Atmosphere	Non-corrosive or non-conductive, or non-explosive gas or liquid, and non-dusty
	Surrounding temperature	-10°C (14°F) ~ +40°C (104°F) (Non-freezing and non-condensing)
	Storage temperature	-20°C (-4°F) ~ +60°C (149°F)
	Relative humidity	90% RH or less (No-condensing atmosphere)
	Vibration	Less than 5.9m/sec ² (0.6G)
	Altitude	Less than 1000m (3280 ft.)

No Text on This Page

Chapter 2 Installation and Confirmation

2-1 Basic Equipment

The drive needs the several components for the conjunctive operation. These components are called “basic equipment”, listed in the following:

2-1-1 Power Source: The voltage with three-phase or single-phase of the power source must meet the drive specifications.

2-1-2 MCCB or NFB: MCCB (Molded Case Circuit Breaker) or NFB (No Fuse Breaker) can withstand the inrush current at instant power ON and providing the overload and over-current protection to the drive.

2-1-3 Drive: The main device of motor control. The rated current of motors are variance when the number of motor poles or rated voltage of motor are variance. Base on the rated voltage or rated current of motor to select the drive. Do Not refer to the horse power of motor to select the drive (please refer to the lists of standard specifications of drives).

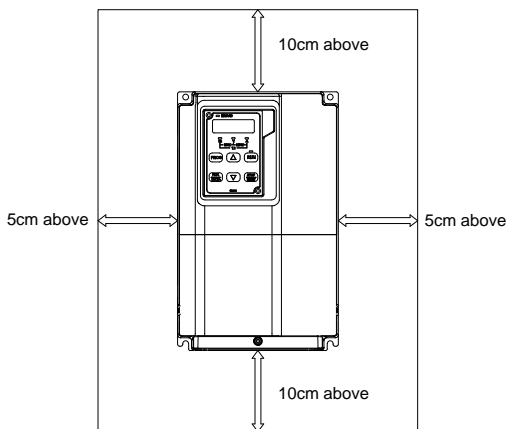
2-1-4 Motor: The specifications of motor are determined from the requirement. Please be cautious to the motor rated current that must not exceed the drive current.

2-2 Installing the Drive

For the safe operation of the drive, please be cautious to the environmental conditions where the drive is going to be installed.

2-2-1 AC Power: AC power input must be complied with the AC power input specification of the drive. (see RM5G/P standard specifications)

2-2-2 Location: Due to the heat dissipating requirement during the drive operation, please install the drive with the least clearance space (shown as below figure) around the drive. Therefore, the location of installation shall be arranged as follows:



Chapter 2 Installation and Confirmation

2-2-3 Arrangement: Due to the heat generated at the machine operation, the drive must be installed in the ventilation space. The installations of drive are shown as below figure1 and figure 2:

a. Internal cooling

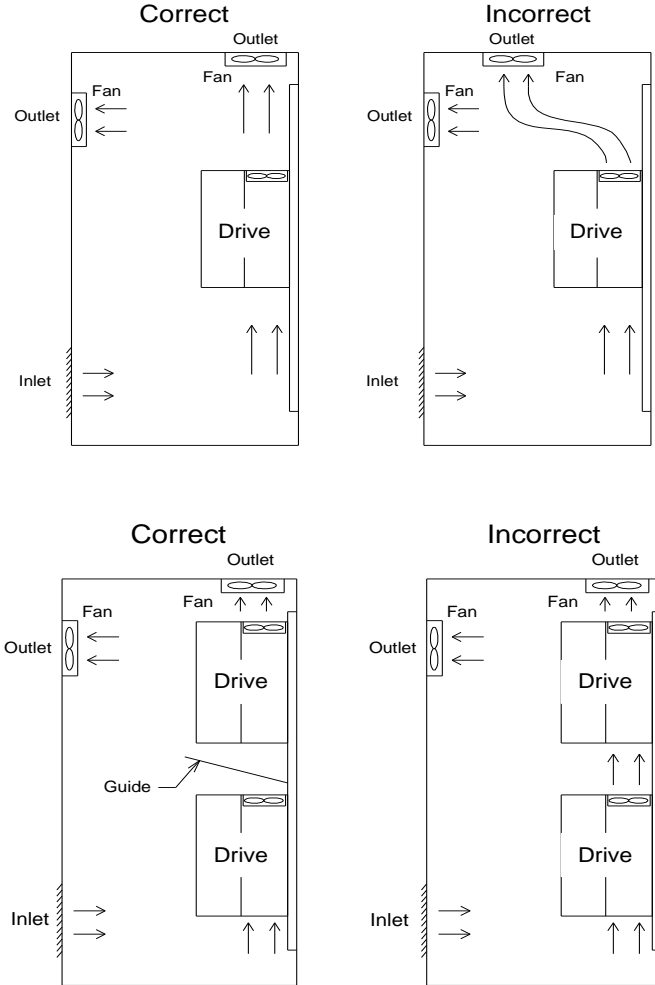


Figure 1: Drive mounting inside the cabinet/control panel

b. External cooling

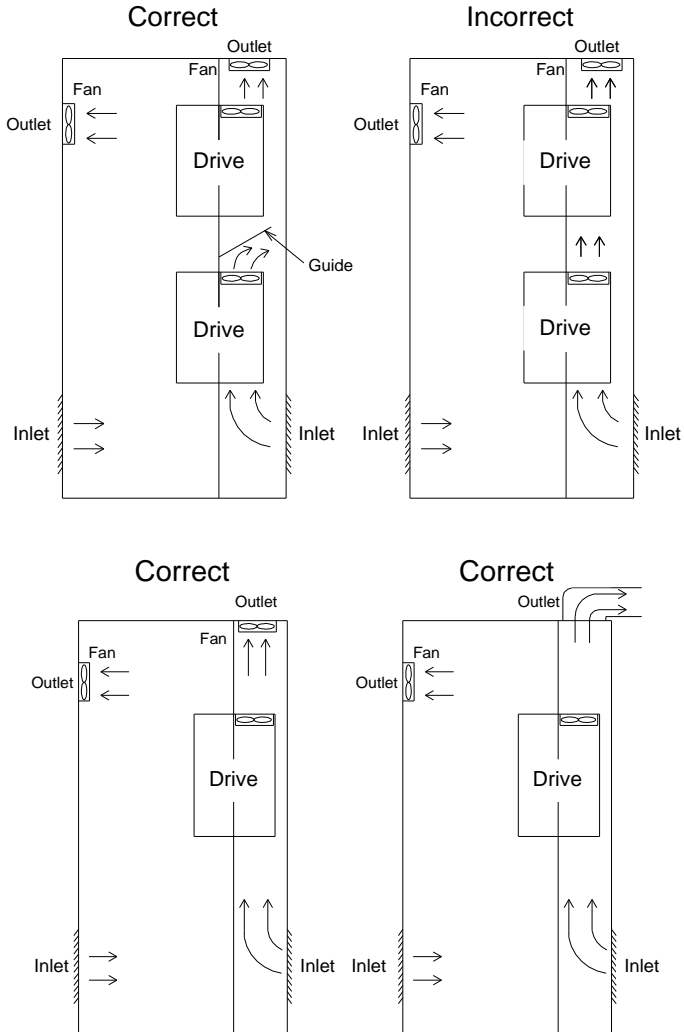



Figure 2: Drive mounting outside the cabinet/control panel

Note: The external cooling is suitable for 7.5HP above. Please ensure all air vents to be ventilated using the external cooling.

Chapter 2 Installation and Confirmation

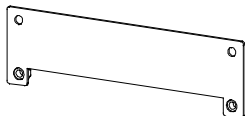
2-2-4 Specifications of Associated Accessories: The specifications of the accessories must be according to the specifications of the drive. Otherwise, the drive will be damaged and the life span of the drive will be shorten.

 Do Not add any power factor leading capacitor(RC, LC or other capacitance component) between the drive and motor to avoid any accidents.

2-2-5 Cleaning of Environment: The installed location of drive must consider the ventilation, cleanliness and moisture.

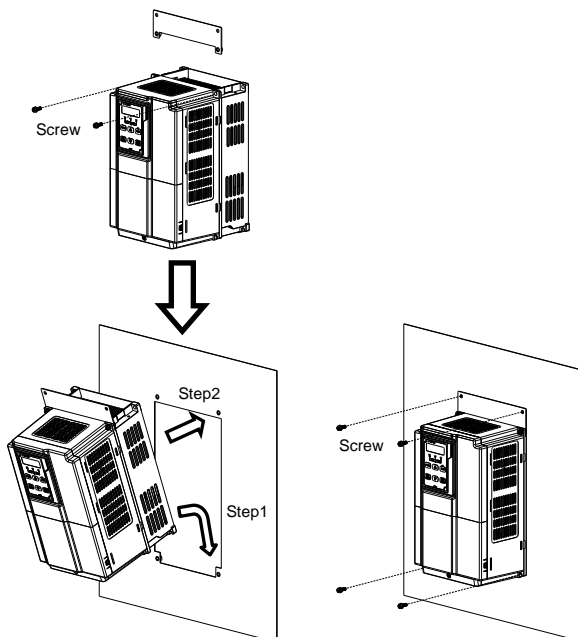
2-2-6 Operator: Only the qualified personnel can perform the operation and troubleshooting.

2-2-7 Drive Supporting Frame (option): (Please refer to p.146)



a. Applicable mode: RM5G-2007 ~ 2015; RM5P-2010 ~ 2020;
RM5G-4007 ~ 4025; RM5P-4010 ~ 4030

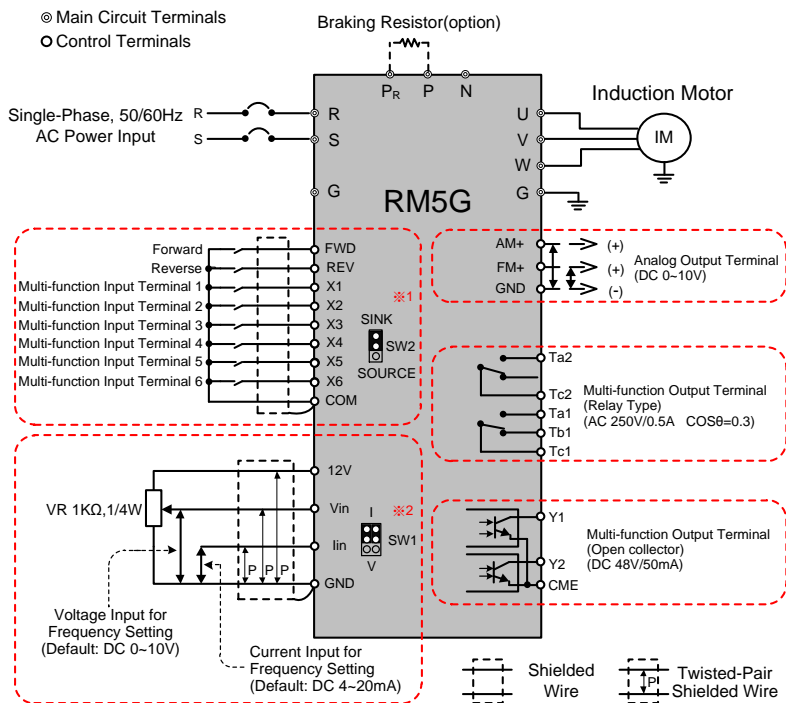
b. Instruction:



2-3 Descriptions of Terminal and Wiring Diagram

2-3-1 Wiring Diagram

Model: RM5G-1001/2-1PH ~ RM5G-1002-1PH;
RM5G-2001/2-1PH ~ RM5G-2002-1PH



※1.SW2: SINK / SOURCE selection;

The input signal mode selection of multi-function input terminal(X1~X6), FWD and REV terminals, please see the section “2-3-2 SINK / SOURCE Definition”.

※2.SW1: I / V selection;

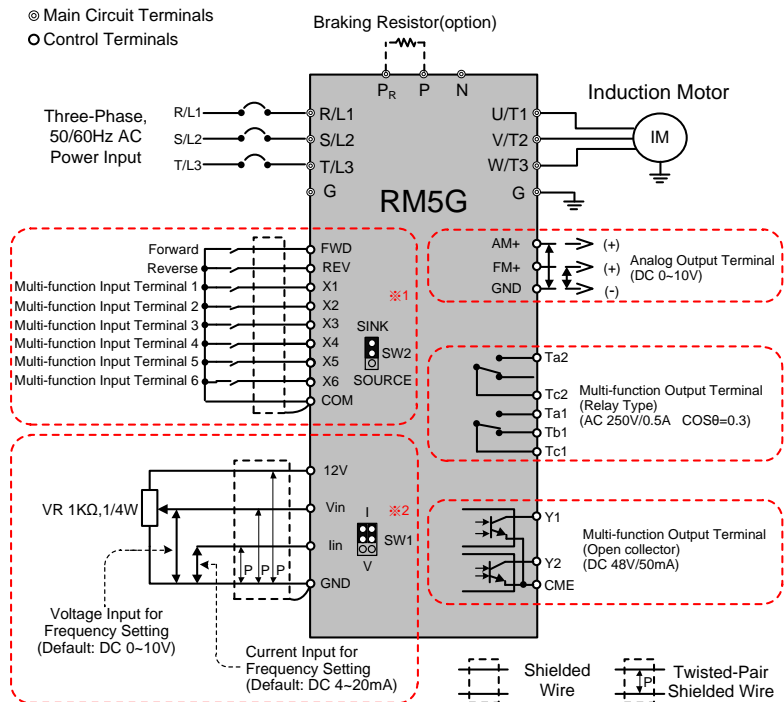
I position: Iin-GND terminal is inputted with the current signal.(default)
V position: Iin-GND terminal is inputted with the voltage signal.

※3.The analog input selection is set by F_126 (default: DC 2~10V(4~20mA))

※4.The tightening torque of control terminal is 5 lb-in(5.7 kgf-cm).

Chapter 2 Installation and Confirmation

Model: RM5G-2001/2 ~ RM5G-2005;
RM5G-4001 ~ RM5G-4005



※1.SW2: SINK / SOURCE selection;

The input signal mode selection of multi-function input terminal(X1~X6), FWD and REV terminals, please see the section “2-3-2 SINK / SOURCE Definition”.

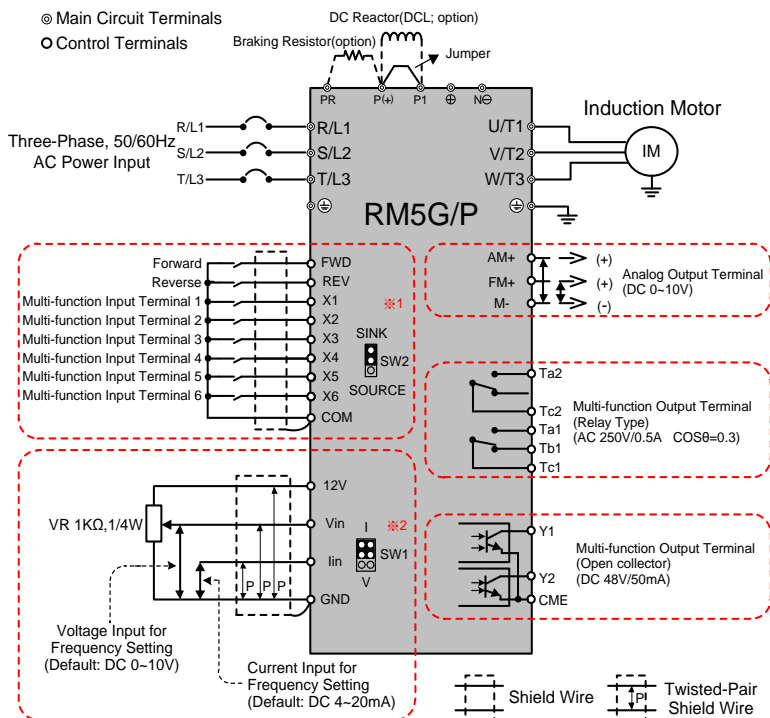
※2.SW1: I / V selection;

I position: lin-GND terminal is inputted with the current signal.(default)
V position: lin-GND terminal is inputted with the voltage signal.

※3.The analog input selection is set by F_126 (default: DC 2~10V(4~20mA))

※4.The tightening torque of control terminal is 5 lb-in(5.7 kgf-cm).

Model: RM5G-2007 ~ RM5G-2015; RM5P-2010 ~ RM5P-2020;
RM5G-4007 ~ RM5G-4025; RM5P-4010 ~ RM5P-4030



※1.SW2: SINK / SOURCE selection;

The input signal mode selection of multi-function input terminal(X1~X6), FWD and REV terminals, please see the section “2-3-2 SINK / SOURCE Definition”.

※2.SW1: I / V selection;

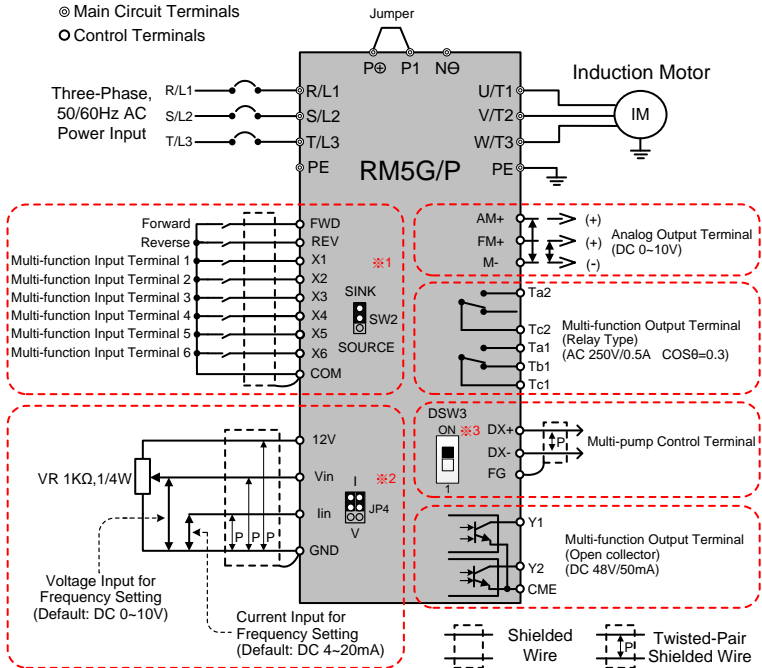
I position: lin-GND terminal is inputted with the current signal.(default)
V position: lin-GND terminal is inputted with the voltage signal.

※3.The analog input selection is set by F_126 (default: DC 2~10V(4~20mA))

※4.The tightening torque of control terminal is 6.9 lb-in(8 kgf-cm).

Chapter 2 Installation and Confirmation

Model:RM5G-2020 ~ RM5G-2075; RM5P-2025 ~ RM5P-2040;
RM5G-4030 ~ RM5G-4075; RM5P-4040 ~ RM5P-4060



※1.SW2: SINK / SOURCE selection;

The input signal mode selection of multi-function input terminal(X1~X6), FWD and REV terminals, please see the section “2-3-2 SINK / SOURCE Definition”.

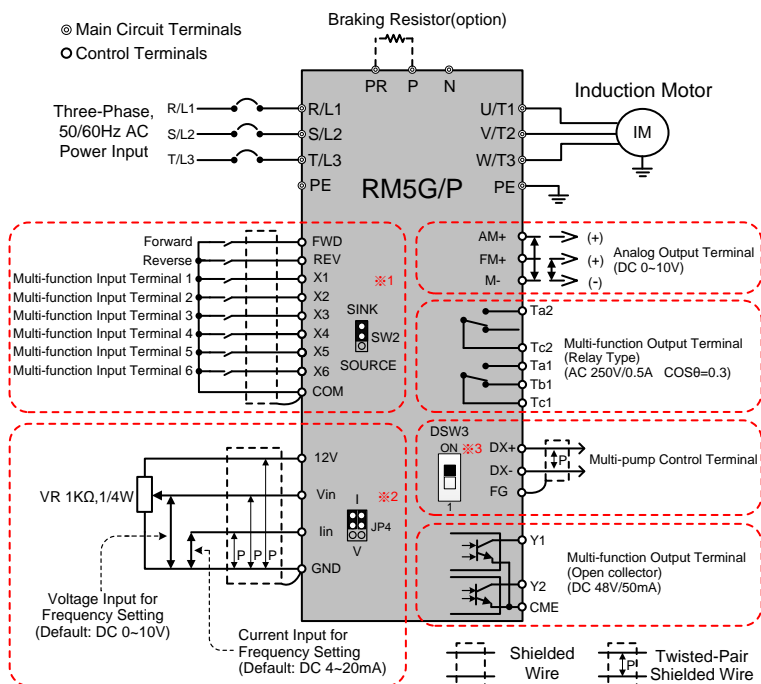
※2.SW1: I / V selection;

I position: lin-GND terminal is inputted with the current signal.(default)
V position: lin-GND terminal is inputted with the voltage signal.

※3.The analog input selection is set by F_126 (default: DC 2~10V(4~20mA))

※4.The tightening torque of control terminal is 6.9 lb-in(8 kgf-cm)..

Model:RM5G-2020B ~ RM5G-2075B;
RM5G-4030B ~ RM5G-4125B;



※1.SW2: SINK / SOURCE selection;

The input signal mode selection of multi-function input terminal(X1~X6), FWD and REV terminals, please see the section “2-3-2 SINK / SOURCE Definition”.

※2.SW1: I / V selection;

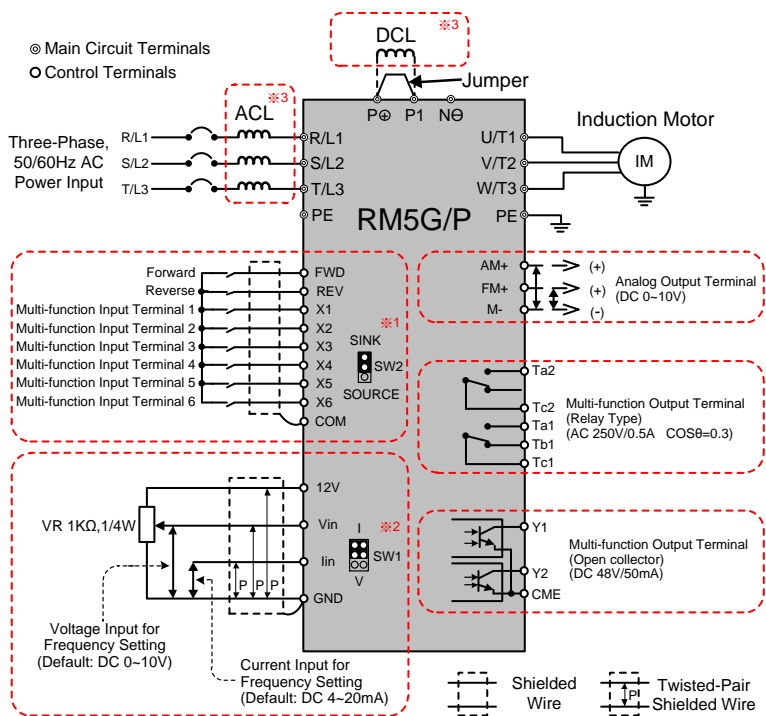
I position: lin-GND terminal is inputted with the current signal.(default)
V position: lin-GND terminal is inputted with the voltage signal.

※3.The analog input selection is set by F_126 (default: DC 2~10V(4~20mA))

※4.The tightening torque of control terminal is 6.9 lb-in(8 kgf-cm).

Chapter 2 Installation and Confirmation

Model:RM5G-2100 ~ RM5G-2250; RM5P-2050 ~ RM5P-2250;
RM5G-4100 ~ RM5G-4600; RM5P-4075 ~ RM5P-4700



※1.SW2: SINK / SOURCE selection;

The input signal mode selection of multi-function input terminal(X1~X6), FWD and REV terminals, please see the section “2-3-2 SINK / SOURCE Definition”.

※2.SW1: I / V selection;

I position: lin-GND terminal is inputted with the current signal. (default)
V position: lin-GND terminal is inputted with the voltage signal.

※3.100HP above drives: AC reactor (ACL) is the standard accessory; 175HP above drives: DC reactor (DCL) is the standard accessory.

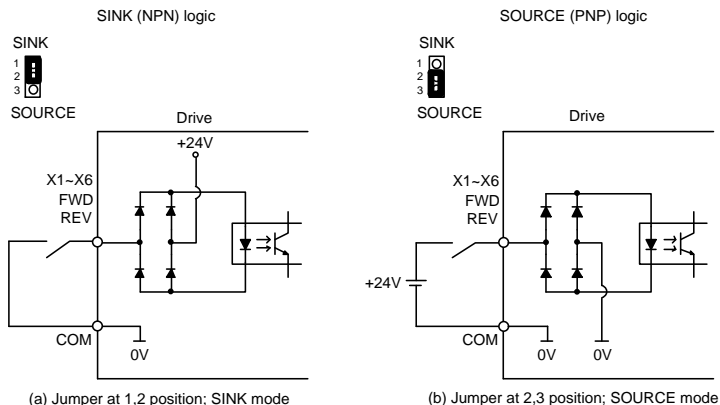
Please remove the jumper between P1 and P terminal, when connecting the external DC reactor (DCL). Do Not remove the jumper, when DC reactor (DCL) does not be connected.

※4.The analog input selection is set by F_126 (default: DC 2~10V(4~20mA))

※5.The tightening torque of control terminal is 6.9 lb-in(8 kgf-cm).

2-3-2 SINK / SOURCE Definition

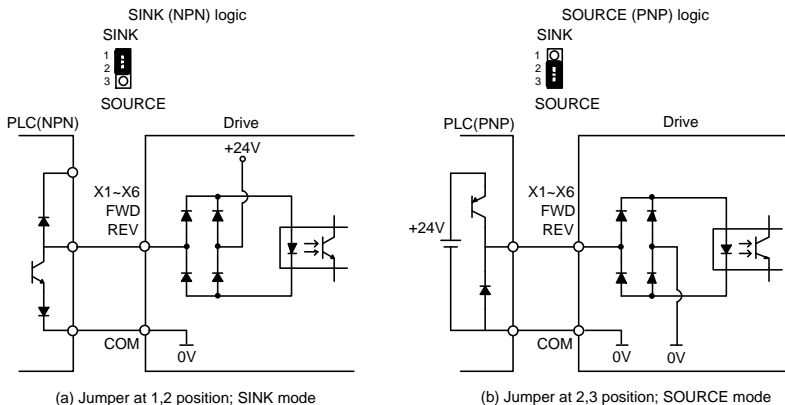
There are two ways of connection for multi-function input terminals:



Figure(a) and (b) show two examples by using a switch to control X1 to X6, FWD, or REV terminals with sink or source mode.

2-3-3 Using a PLC Circuit

There are two ways of connection for multi-function input terminals by PLC circuit:




Figure(a) and (b) show two examples by using PLC to control X1 to X6, FWD, or REV terminals with sink or source mode.

Chapter 2 Installation and Confirmation

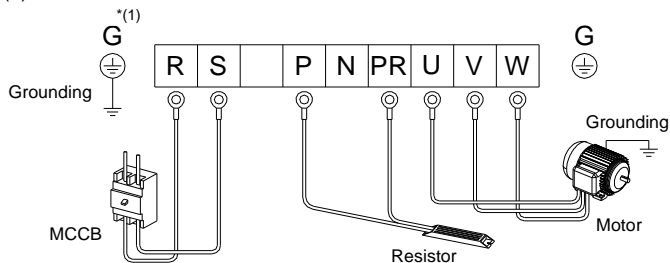
2-3-4 Description of Terminals

a. Main Circuit Terminals

Type	Symbol	Function	Description
Power Source	R,S	AC power source input terminals	Single-phase; sinusoidal power source input terminals.
	R,S,T (L1,L2,L3)		Three-phase; sinusoidal power source input terminals.
	\oplus, \ominus	DC power source input terminals	External DC power source terminal. ※Only 2007 ~ 2015, 4007 ~ 4020 models have the terminal.
Motor	U,V,W (T1,T2,T3)	Drive outputs to motor terminals	Output three-phase variable frequency and voltage to motor.
Power and Braking	P(+), \ominus	Dynamic brake unit terminal	The terminals can connect to dynamic braking unit (option).
	$P\oplus, \ominus$		
	P, N		
	P, PR	External braking resistor terminal	The terminals can connect to external brake resistor (option).
	P(+), PR		
	$P\oplus, PR$		
	P(+), P1	External reactor terminal	The terminal can connect to DC reactor (DCL) for improving power factor. The default setting is connected by a jumper.
	$P\oplus, P1$		
Grounding	PE(or G)	Grounding terminal	Ground the drive in compliance with the NEC standard or local electrical code.
			

b. Main Circuit Connection

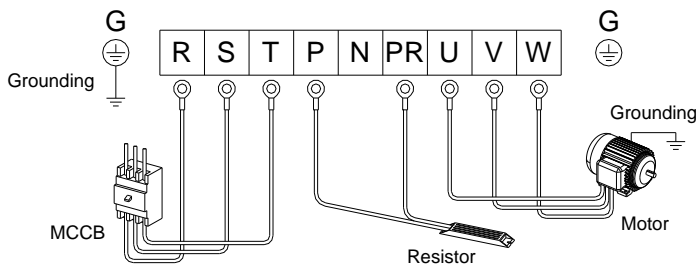
(1)



* (1): The grounding marking of 100V series is PE.

Model number	Terminal screw size (except grounding terminal)	Tightening torque lb-in (kgf-cm)	Grounding terminal size	Tightening torque lb-in (kgf-cm)
RM5G-_____: 1001/2-1PH, 1001-1PH, 1002-1PH 2001/2-1PH, 2001-1PH, 2002-1PH	M4	13.8 (15)	M4	13.8 (15)

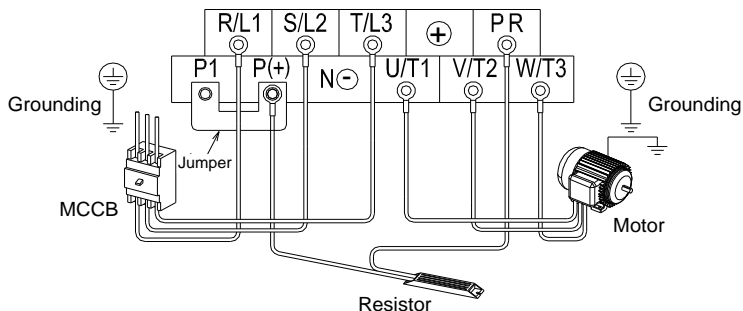
(2)



Model number	Terminal screw size (except grounding terminal)	Tightening torque lb-in (kgf-cm)	Grounding terminal size	Tightening torque lb-in (kgf-cm)
RM5G-_____: 2001/2, 2001, 2002, 2003, 2005 4001, 4002, 4003, 4005	M4	13.8 (15)	M4	13.8 (15)

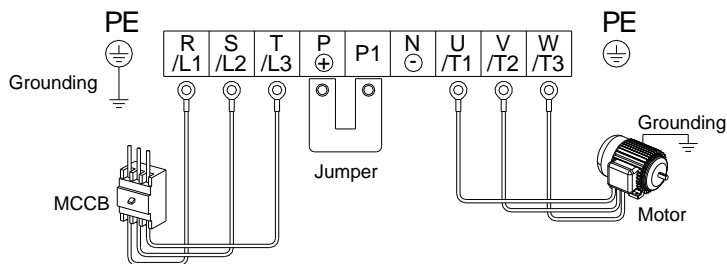
Chapter 2 Installation and Confirmation

(3)



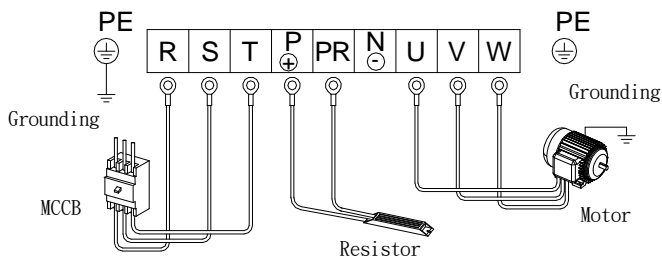
Model number	Terminal screw size (except grounding terminal)	Tightening torque lb-in (kgf-cm)	Grounding terminal size	Tightening torque lb-in (kgf-cm)
RM5G-_____: 2007, 2010, 2015; 4007, 4010, 4015, 4020, 4025 RM5P-: 2010, 2015, 2020; 4010, 4015, 4020, 4025, 4030	M5	20.8 (24)	M4	13.8 (15)

(4)



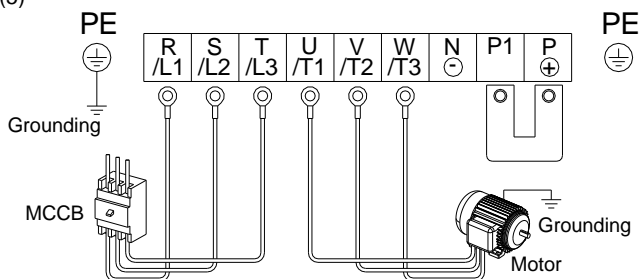
Model number	Terminal screw size (except grounding terminal)	Tightening torque lb-in (kgf-cm)	Grounding terminal size	Tightening torque lb-in (kgf-cm)
RM5G-_____: 2020, 2025, 2030, 2040; 4030, 4040, 4050, 4060 RM5P-: 2025, 2030, 2040; 4040, 4050, 4060	M6	69.4 (80)	M5	20.8 (24)

(5)



Model number	Terminal screw size (except grounding terminal)	Tightening torque lb-in (kgf-cm)	Grounding terminal size	Tightening torque lb-in (kgf-cm)
RM5G-_____: 2020B, 2025B, 2030B, 2040B; 4030B, 4040B, 4050B, 4060B	M6	69.4 (80)	M5	20.8 (24)

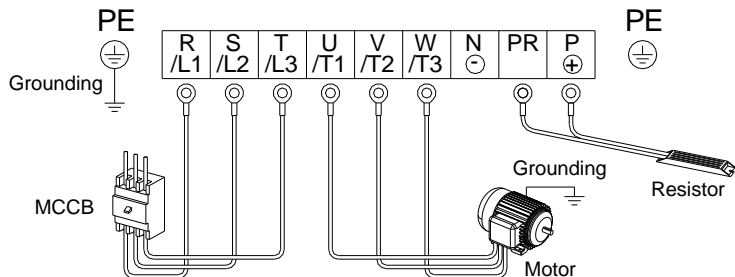
(5)



Model number	Terminal screw size (except grounding terminal)	Tightening torque lb-in (kgf-cm)	Grounding terminal size	Tightening torque lb-in (kgf-cm)
RM5G-_____: 2050, 2060, 2075; 4075, 4100, 4125	M8	104 (120)	M8	104 (120)
RM5P-: 2050, 2060, 2075, 2100; 4075, 4100, 4125, 4150				

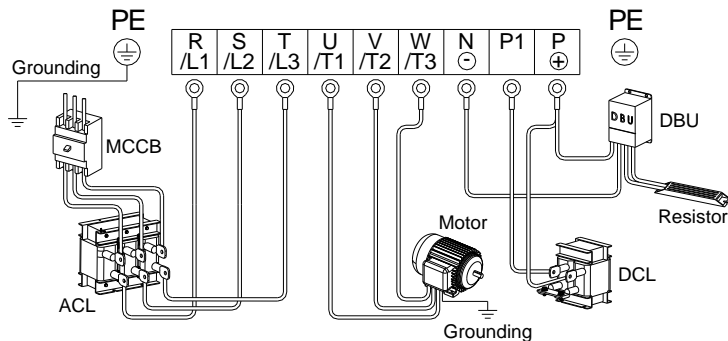
Chapter 2 Installation and Confirmation

(6)



Model number	Terminal screw size (except grounding terminal)	Tightening torque lb-in (kgf-cm)	Grounding terminal size	Tightening torque lb-in (kgf-cm)
RM5G-_____: 2050B, 2060B, 2075B; 4075B, 4100B, 4125B	M8	104 (120)	M8	104 (120)

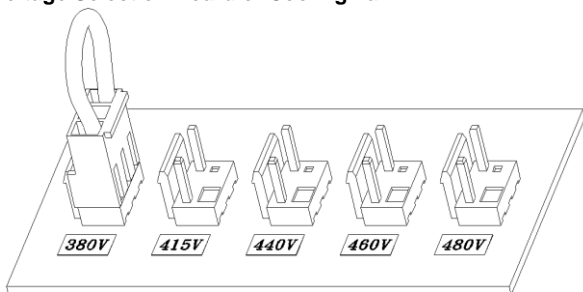
(7)



Model number	Terminal screw size (except grounding terminal)	Tightening torque lb-in (kgf-cm)	Grounding terminal size	Tightening torque lb-in (kgf-cm)
RM5G-_____: 2100, 2125, 2150, 2200, 2250; 4075 ~ 4600 RM5P-: 2125, 2150, 2200, 2250; 4175 ~ 4700	M12	347 (400)	M8	104 (120)

※Be caution of the electrodes of DBU when connecting to P \oplus , N \ominus terminals of drive to avoid any possible damages to drive.

c. Voltage Selection Board of Cooling Fan



※RM5G-4075 / RM5P-4100 above models have the voltage selection board shown in above figure when removing the main circuit terminal cover of the drive. Please carefully select the jumper position according to the power source (actual power voltage level) to avoid the burnout of the fan or the overheating of the drive.
(EX: When the power source is 460V, selecting the position from 380V to 460V)

d. Control Terminals

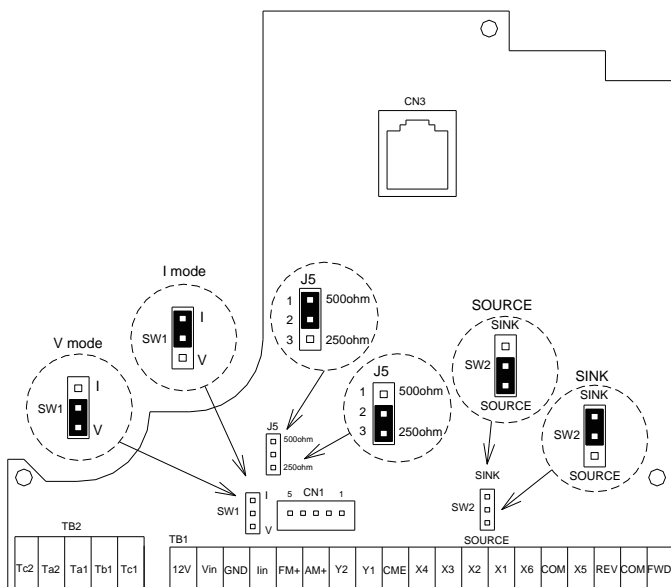
Type	Symbol	Function	Description	
Control circuit terminal	Control power	P12/12V	Power terminal; Control device usage	Output DC+12V; Maximum supplied current is 20mA.
		GND	Common of analog input control terminals	Common of power terminals(P12/12V) and analog input control terminals (Vin, lin).
	Input terminals	FWD	Forward command terminal	Connect the FWD and COM terminals for forward operation. (F_001=0,1,2)
		REV	Reverse command terminal	Connect the REV and COM terminals for reverse operation. (F_001=0,1,2)
		X1	Multi-function input terminal 1	<ul style="list-style-type: none"> Connect the X1 and COM terminals and set the function F_052. Default setting: Multi-speed level 1 command
		X2	Multi-function input terminal 2	<ul style="list-style-type: none"> Connect the X2 and COM terminals and set the function F_053. Default setting: Multi-speed level 2 command
		X3	Multi-function input terminal 3	<ul style="list-style-type: none"> Connect the X3 and COM terminals and set the function F_054. Default setting: Jog command
		X4	Multi-function input terminal 4	<ul style="list-style-type: none"> Connect the X4 and COM terminals and set the function F_055. Default setting: Secondary accel/decel time command

Chapter 2 Installation and Confirmation

Type	Symbol	Function	Description	
Control circuit terminal	Input terminals	X5	Multi-function input terminal 5	<ul style="list-style-type: none"> Connect the X5 and COM terminals and set the function F_056. Default setting: External fault command (thr)
		X6	Multi-function input terminal 6	<ul style="list-style-type: none"> Connect the X6 and COM terminals and set the function F_057. Default setting: Reset command
		COM	Common of digital input control terminals	Common of digital input control signal terminals. (FWD, REV and X1 ~ X6)
		Vin	Analog input terminal	Input range: DC 0~10V ◦
		lin	Analog input terminal	<ul style="list-style-type: none"> Input signal selection SW1: I position (current signal) SW1: V position (voltage signal) Input range: DC 4~20mA (2~10V) or DC 0~20mA (0~10V) The function is set by F_126.
Control circuit terminal	Output terminals	FM+ AM+	Analog output terminals	<ul style="list-style-type: none"> Voltage meter with 10V full scale spec. (meter impedance: 10kΩ above) Maximum output current: 1mA
		M-	Common of analog output terminals	Common of analog output terminals.
		Ta1	Multi-function output terminals (relay type)	<ul style="list-style-type: none"> N.O (contact a); The function is set by F_060 (default setting: Error detection). Capacity: AC250V, 0.5A_{Max}, cosθ=0.3
		Tb1		<ul style="list-style-type: none"> N.C (contact b); The function is set by F_060 (default setting: Error detection). Capacity: AC250V, 0.5A_{Max}, cosθ=0.3
		Tc1		Common terminal for Ta1, Tb1.
		Ta2		<ul style="list-style-type: none"> N.O (contact a); The function is set by F_131 (default setting: Operation detection). Capacity: AC250V, 0.5A_{Max}, cosθ=0.3
		Tc2		Common terminal for Ta2.
		Y1	Multi-function output terminals (open collector type)	<ul style="list-style-type: none"> The function is set by F_058, F_059. Capacity: DC48V, 50mA_{Max}
		Y2		
CME	Common terminal of Y1, Y2.			

2-3-5 Control Board

- (1) RM5G-1001/2-1PH ~ RM5G-1002-1PH;
 RM5G-2001/2-1PH ~ RM5G-2002-1PH;
 RM5G-2001/2 ~ RM5G-2005;
 RM5G-4001 ~ RM5G-4005



CN1:External indicator (DM-501) socket.

CN3:RJ-45 socket for keypad (KP-201C or KP-202).

TB1:Input/Output terminals.

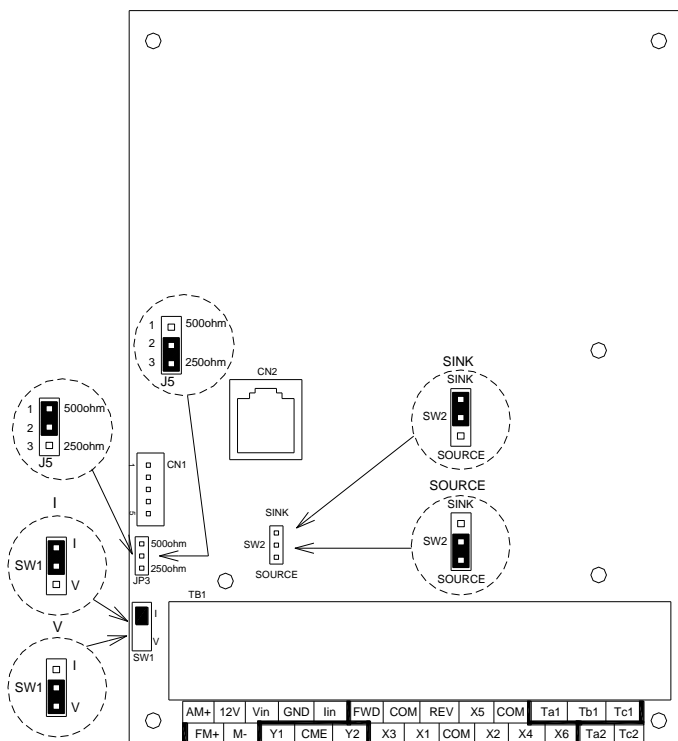
TB2:Multi-function output terminals (relay type).

J5:Input impedance selection of Iin (pin1, 2: 500Ω ; pin2, 3: 250Ω);
 Default: pin2, 3

SW1:Input signal type selection of Iin (voltage/current). Default: current

SW2:SINK/SOURCE mode selection of X1 to X6, FWD or REV (refer to page 27). Default: SINK

(2) RM5G-2007 ~ RM5G-2250; RM5P-2010 ~ RM5P-2250;
 RM5G-4007 ~ RM5G-4600; RM5P-4010 ~ RM5P-4700



CN1:External indicator (DM-501) socket.

CN2:RJ-45 socket for keypad (KP-201C or KP-202).

TB1:Input/Output terminals.

J5:Input impedance selection of lin (pin1, 2: 500Ω ; pin2, 3: 250Ω);
 Default: pin2, 3

SW1:Input signal type selection of lin (voltage/current). Default: current

SW2:SINK/SOURCE mode selection of X1 to X6, FWD or REV (refer to page 27). Default: SINK

Chapter 2 Installation and Confirmation

2-3-6 Wiring Cautions and Specifications

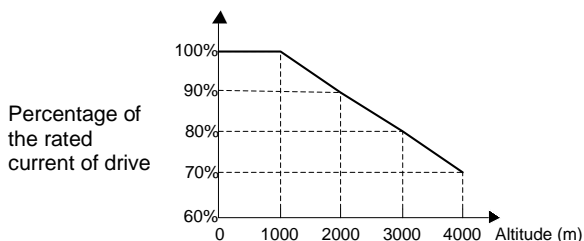
- a. Wiring connection between drive and motor due to the variance of the rated power causes the variance of current leakage. The setting of the switching frequency, rated power, and cable length is listed in the below table.

Rated power	Cable length					
	10m	20m	30m	50m	100m	100m above
1/2~5HP	10kHz	7.5kHz	5kHz	2.5kHz	800Hz	800Hz
7.5~10HP	10kHz	7.5kHz	5kHz	2.5kHz	800Hz	800Hz
15~30HP	7.5kHz	5kHz	2.5kHz	2.5kHz	800Hz	800Hz
40~75HP	5kHz	5kHz	2.5kHz	2.5kHz	800Hz	800Hz
100~700HP	2.5kHz	2.5kHz	2.5kHz	800Hz	800Hz	800Hz

The setting of switching frequency is determined by F_081

F_081	=0	Switching frequency	800Hz	Note: 1. When the setting value of F_081 exceeds 4(10kHz) in RM5G drive, recommending decrease the output current or selecting the higher rated output capacity. 2. When the setting value of F_081 exceeds 2(5kHz) in RM5P drive, recommending decrease the output current or selecting the higher rated output capacity. 3. Do Not adjust the setting value of switching frequency (F_081) of 75HP above drives while the drive is running.
	=1		2.5kHz	
	=2		5kHz	
	=3		7.5kHz	
	=4		10kHz	
	=5		12.5kHz	
	=6		15kHz	

- b. The wiring length between the drive and motor must keep as short as possible. The parasitic capacitance effect is minor within 10 meters. The drive shall connect an AC reactor (ACL) on the side of drive output terminals U/T1, V/T2, W/T3 and decrease the switching frequency if the wiring length is over 30m.
- c. If the drive is used at the altitude over than 1000m, the relationship of drive's rated current and altitude is shown as below figure.



Chapter 2 Installation and Confirmation

d.Recommending wire size and Molded Case Circuit Breaker (MCCB)

Single-Phase 100V Series

Model number RM5G-	Input current (A)	MCCB (A)	Main circuit wire size (R/L1,S/L2,T/L3) (mm ²)	Control circuit wire size (mm ²)	Grounding wire size (mm ²)
1001/2-1PH	8.8	15	2.0	0.75 ~ 1.25	2.0
1001-1PH	18	30			
1002-1PH	24	50			

Single-Phase 200V Series

Model number RM5G-	Input current (A)	MCCB (A)	Main circuit wire size (R/L1,S/L2,T/L3) (mm ²)	Control circuit wire size (mm ²)	Grounding wire size (mm ²)
2001/2-1PH	7	10	2.0	0.75 ~ 1.25	2.0
2001-1PH	13.5	20			
2002-1PH	19	50			

Three-Phase 200V Series

Model number RM5G-	Input current (A)	MCCB (A)	Main circuit wire size (R/L1,S/L2,T/L3) (mm ²)	Control circuit wire size (mm ²)	Grounding wire size (mm ²)
2001/2	5	5	2.0	0.75 ~ 1.25	2.0
2001	6	10	2.0		2.0
2002	10	15	2.0		2.0
2003	14	20	2.0		2.0
2005	18	30	3.5		3.5
2007	30	50	5.5		5.5
2010	40	80	8		8
2015	60	100	14		14
2020	69	110	22		22
2025	85	125	22		22
2030	103	150	38		38
2040	132	200	60		60
2050	176	300	80		80
2060	200	350	100		100
2075	240	400	60*2		60*2
2100	280	500	100*2		100*2
2125	330	500	150*2		150*2
2150	380	600	200*2		200*2
2200	550	800	200*2		200*2
2250	660	1000	250*2		250*2

Three-Phase 400V Series

Model number RM5G-	Input current (A)	MCCB (A)	Main circuit wire size (R/L1,S/L2,T/L3) (mm ²)	Control circuit wire size (mm ²)	Grounding wire size (mm ²)
4001	3.5	5	2.0	0.75 ~ 1.25	2.0
4002	5	10	2.0		2.0
4003	8	15	2.0		2.0
4005	12	20	3.5		3.5
4007	16	30	3.5		3.5
4010	22	30	5.5		5.5
4015	28	40	8.0		8.0
4020	38	60	8.0		8.0
4025	45	70	14		14
4030	52	90	22		22
4040	70	100	22		22
4050	84	125	22		22
4060	100	150	38		38
4075	130	200	60		60
4100	155	250	80		80
4125	177	300	100		100
4150	196	300	60*2		60*2
4175	217	350	100*2		100*2
4200	282	400	100*2		100*2
4250	355	600	150*2		150*2
4300	385	600	200*2		200*2
4350	440	700	250*2		250*2
4420	540	800	250*2		250*2
4500	650	1000	325*2		325*2
4600	800	1200	325*2		325*2

Notes:

- i. Please refer to the local electrical code with respect to the wiring(the loading and continuity, the wire capability for the current and temperature, the length of wiring, and the surrounding temperature must be all considered in order to add or reduce the size of the wire).
- ii. Please use the cable that is suitable for 600V, 75°C above.
- iii. This table is only for reference.

No Text on This Page

Chapter 3 The Setting of Keypad

3-1 Digital Type Keypad (KP-201C) for RM5G/P

The diagram shows the KP-201C keypad with a red LED display showing '40.000'. The keypad has several buttons: 'PROG' (blue), 'RUN' (green), 'FUN DATA' (blue), 'STOP RESET' (red), and two arrow keys (blue). There are also indicators for 'RPM', 'MPM', and 'T.S.'. Callouts provide the following information:

- 1. ON:** Primary frequency command is set by keypad or UP/DOWN terminal
- 2. OFF:** Primary frequency command is set by multi-function input terminals
- 1. Enter function setting mode**
- 2. Back to monitor mode**
- 1. Enter parameter setting mode**
- 2. Back to function setting mode**
- 3. Switch monitor mode**
- 1. T.S:** Indicate the status of terminals
- 2. Unit indicator**
- Blinking:** Under acceleration or deceleration
- ON:** Constant speed
- OFF:** Stop
- Drive start key**
- Up/down key of changing functions and parameters**
- 1. Drive stops (cut off output frequency of drive)**
- 2. Fault reset**

Note:

- KP-201C transmission cable can select 8-pin telephone cable (flat) or network cable (AMP)
- 8-pin telephone cable: The length must be within 5 meters.
- Network cable (AMP): The length can be over 5 meters (the longest length is 25 meters)
- There are 6 length of specifications of network cable (1M, 2M, 3M, 5M, 7M, 10M).

3-2 Analog Type Keypad (KP-202) for RM5G/P

The diagram shows the KP-202 keypad with a red LED display showing '12.000'. The keypad has a 'POT' knob, 'DIP' switches, 'ADJ 1' through 'ADJ 6' indicators, 'RUN' (green), and 'STOP RESET' (red) buttons. Callouts provide the following information:

- 1. ON:** Primary frequency command is set by keypad or UP/DOWN terminal
- 2. OFF:** Primary frequency command is set by multi-function input terminals
- Pot knob**
- The indicators of ADJ 1 ~ ADJ 6 will be lighted when the RSW is switched to the corresponding position.**
- Blinking:** Under acceleration or deceleration
- ON:** Constant speed
- OFF:** Stop
- 1. Drive stops (cut off output frequency of drive)**
- 2. Fault reset**

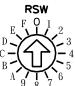




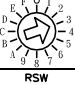

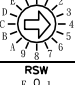

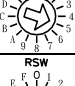

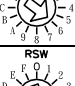

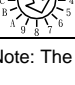
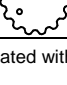
Note:

- KP-202 transmission cable can select 8-pin telephone cable (flat) or network cable (AMP)
- 8-pin telephone cable: The length must be within 5 meters.
- Network cable (AMP): The length must be within 5 meters.

Chapter 3 The Setting of Keypad

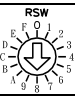
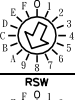
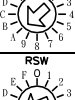
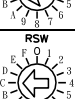

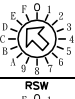


3-2-1 Description of Switches and Pot Knob

a. Control function

RSW	Function	Corresponding VR	Range	Default setting	Page
	Output frequency	N/A	----	----	----
	Starting voltage	 ADJ1	0.1~127.5V	8.0V (200V class) 12.0V (400V class)	108 & 109
	Primary acceleration time	 ADJ2	0.0~165.0sec	0.5~5HP: 5.0sec. 7.5~30HP: 15.0sec. 40HP above: 30.0sec.	108 & 109
	Primary deceleration time	 ADJ3	0.0~165.0sec	0.5~5HP: 5.0sec. 7.5~30HP: 15.0sec. 40HP above: 30.0sec.	108 & 109
	Preset speed 1	 ADJ4	0.0~120.0Hz	10.0Hz	108 & 109
	Maximum output frequency	 ADJ5	0.0~120.0Hz	60.0Hz	108 & 109
	Secondary accel/decel time	 ADJ6	0.0~165.0sec	0.5~5HP: 5.0sec. 7.5~30HP: 15.0sec. 40HP above: 30.0sec.	108 & 109
	Primary speed	 FREQ	0.0~120.0Hz	----	108 & 109

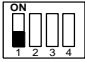
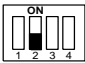
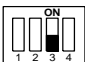

Note: The function of RSW associated with VR can be changed, except for ADJ1~ADJ3.

b. Display function

RSW	Function	Corresponding VR	Range	Default setting
	Frequency command display	N/A	----	----
	Output voltage display	N/A	----	----
	DC bus voltage display	N/A	----	----
	Output current display	N/A	----	----
	Motor speed (rpm) display	N/A	----	----
	Machine speed (mpm) display	N/A	----	----
	Terminal status display	N/A	----	----
	DIP status display	N/A	----	----

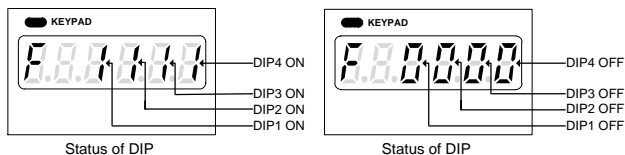
Chapter 3 The Setting of Keypad

3-2-2 Description of DIP Switches

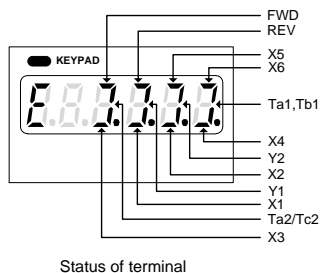
Switch number	DIP	Function	Description	Page
1		Selection of switching frequency	ON : 10kHz OFF : Depending on the setting of KP-201C (default)	109~111
2		Selection of base frequency	ON : 50Hz OFF : 60Hz	109~111
3		Selection of frequency command	ON : Setting by analog input terminals of multi-function input terminal OFF : According to the setting of KP-201C or KP-202	109~111
4		Selection of start command	ON : Controlled by FWD / REV terminals. OFF : Controlled by KP-202 keypad (default)	109~111

3-3 Status of Multi-Function Input/Output Terminals and DIP Switch

3-3-1 DIP Switch



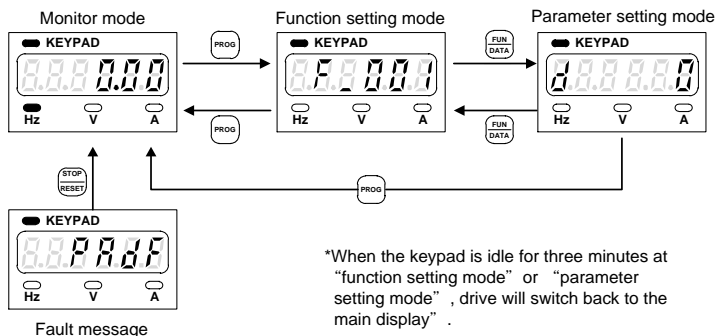
3-3-2 Multi-function Input/Output Terminals



3-4 The Operation of Keypad (KP-201C) and Monitor Mode

3-4-1 Operation of Keypad

The operation of the digital keypad includes fault messages and three modes. The switching methods are shown as below figure:



The operation steps are shown as below table (by default setting)


Operation Steps	Display
1. Start the drive and enter the monitor mode.	
2. Press PROG key and enter the function setting mode.	
3. Press FUN DATA key and enter the parameter setting mode.	
4. Press FUN DATA key and return to the function setting mode.	
5. Press PROG key and return to the monitor mode.	

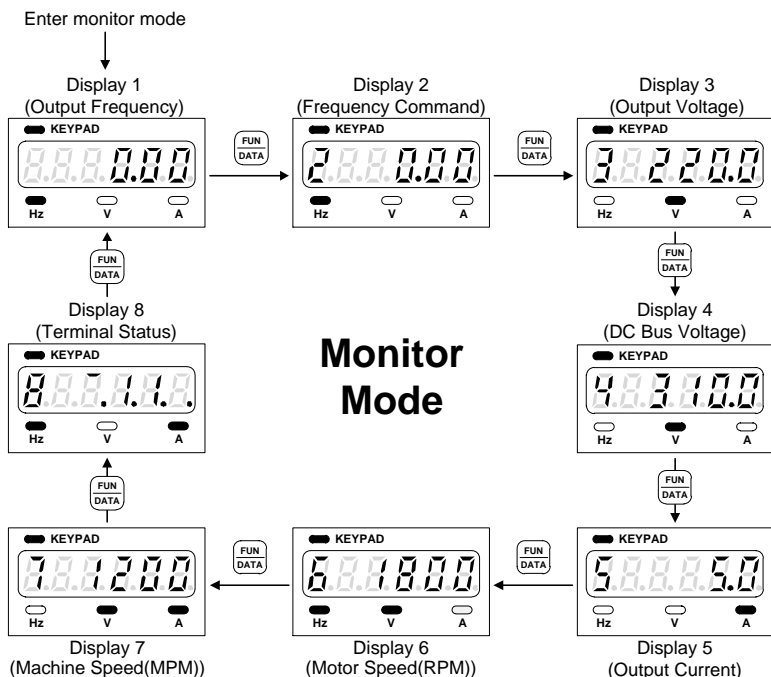
Error message display:


Operation Steps	Display
The fault message displayed during the drive operation	
1. After the error is troubleshot, press STOP RESET key to clear the fault and return to the monitor mode.	

Chapter 3 The Setting of Keypad

3-4-2 Description of Monitor Mode




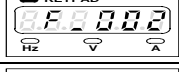

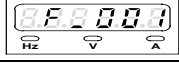
There are eight displays can be selected in the monitor mode. Press  to switch the display in accordance with below sequence under monitor mode. User can determine one of eight displays as the main display from function F_006 (Selection of Main Display). Please refer to the following illustrations:



- Select one of eight displays as the main display from function F_006 (Selection of Main Display).
- Determine one of eight displays as the main display according to the application. When the parameter of function is completed without pressing  key, the drive will automatically switch back to the main display after 3 minute.








3-4-3 Description of Function Setting Mode

In function setting mode, there are 135 functions (F_000 ~ F_134) can be selected for RM5G/P series drive, and the setting steps are as below:

Operation Steps	Display
1. In the monitor mode, press  key to enter function setting mode.	
2. Press  key to increase the function number.	
3. Press  key to decrease the function number.	









3-4-4 Description of Parameter Setting Mode

In parameter setting mode, the setting range for every function is shown in Chapter 4 - Parameter List.

Operation Steps	Display
1. Select F_001 (Start Command Selection) as the example.	
2. Press  key to enter parameter setting mode.	
3. Press  key to decrease the value of F_001 from 3 (default value) to 2.	
4. Press  key to save the setting value and return to function setting mode.	






3-4-5 Operation at Monitor Mode

In the monitor mode, the frequency command can be changed. Please refer to below example of changing frequency from 60Hz to 50Hz.

Operation Steps	Display
1. In "display 6" of monitor mode, the keypad will display motor speed.	
2. Press  or  key, the display will switch to the frequency value.	
3. Press  key to decrease the frequency command from 60Hz to 50Hz.	
4. After selecting the demanding speed, press  key to save the setting value within 5 seconds (the setting value is blanking) or waiting the drive automatically save the value.	

3-4-6 Start / Stop Operation of Drive

To start / stop the drive, the display must switch to monitor mode.







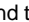





Operation Steps	Display
1. In monitor mode, press  key to start the drive. (default: output frequency)	
2. Drive will display the output frequency value on keypad.	
3. Press  key can cut off the output frequency of drive.	

3-4-7 Parameter Copy; Restore Default Value; Save/Restore Setting Value













a. Parameter Copy:

Including writing and readout setting value of functions. Parameter settings of two drives can be copied by “*8888EE*” and “*0088EE*” functions via keypad (KP-201C).

(Parameter Read Out: Drive parameter → Keypad)

Operation steps	Display
1. In the monitor mode, press  key to enter function setting mode.	
2. Press  or  key to select the function to F_134 (Default Setting) and then press  key to enter parameter setting mode.	
3. Press  key and then select <i>8888EE</i> parameter and then press  key to execute the parameter readout.	
4. Drive will start to copy the parameters to keypad, and then display the copy process on keypad.	
5. After completing the copy, the keypad will display <i>888EED</i> message and automatically back to function setting mode.	
<p>• Hot key of <i>8888EE</i> :</p> <p>Before connecting the transmission cable to digital keypad (KP-201C), keep pressing  key until the keypad is connected to drive. The drive will execute the function of <i>8888EE</i> .</p>	

(Parameter Write In : Keypad parameters → Drive)

Operation steps	Display
1. In the monitor mode, press  key to enter function setting mode.	
2. Press  or  key to select the function to F_134 (Default Setting) and then press  key to enter parameter setting mode.	
3. Press  key and then select <i>UUUUUU</i> parameter and then press  key to execute the writing.	
4. Keypad will start to copy the parameters to drive, and then display the copy process on keypad.	
5. After completing the copy, the keypad will display <i>UUUUUU</i> message and automatically back to function setting mode.	
<p>• Hot key of <i>UUUUUU</i>:</p> <p>Before connecting the transmission cable to digital keypad (KP-201C), keep pressing  key until the keypad is connected to drive. The drive will execute the function of <i>UUUUUU</i>.</p>	

※ **Do Not execute the copy function for different software version, otherwise the parameters will occur error and the keypad will display *UUUUUU* message.**

b. Restore Default Value:









RM5G/P series drive provide two default values for using. User can according to the demand to restore default values.

UUUU60 (Restore the default value of drive for 60Hz.)

UUUU50 (Restore the default value of drive for 50Hz.)









※ **Be caution of the usage of this parameter! This parameter will clear the saved setting value via *UUUU50* parameter.**

Select the **888850** parameter as an example, and the operation steps as below:









Operation Steps	Display
1. Press  or  key selecting the function to F_134 (Default Setting) and then press  key to enter parameter setting mode.	
2. Press  key to select 888850 parameter, and then press  key to execute the restoring.	
3. After completing the restoring, the keypad will display 888Err message and back to the function setting mode.	

c. Save / Restore Setting Value:

(Save the setting value)

Operation Steps	Display
1. Press  or  key to select the function to F_134 (Default Setting) and then press  key to enter parameter setting mode.	
2. Press  key to select 888580 parameter, and then press  key to execute the saving.	
3. After completing the saving, the keypad will display 888Err message and back to the function setting mode.	

(Restore the setting value)

Operation Steps	Display
1. Press  or  key to select the function to F_134 (Default Setting) and then press  key to enter parameter setting mode.	
2. Press  key to select 888855 parameter, and then press  key to execute the restoring.	
3. After completing the restoring, the keypad will display 888Err message and back to function setting mode.	

Note: "Restore" parameter is activation when the setting value is saved by "Save" parameter.

No Text on This Page

Chapter 4 Parameter List

Func.	Name	Description	Range of Setting	Unit	dEF60	Page		
F_000	Drive Information	0: Software version (P5103F) 1: Drive model number 2: Drive running hours 3: Drive supply power time 4: Software checksum code 5: Reserved	—	—	—	64		
F_001	Start Command Selection		Start command	Rotation direction command	0~4	—	3	64
		0:	FWD or REV terminal	FWD or REV terminal				
		1:	FWD terminal	REV terminal				
		2:		FWD, REV terminal				
		3:	Keypad "RUN" key	Forward direction				
4:	Reverse direction							
F_002	Primary Frequency Command Selection	0: Frequency command by analog signal via terminal. 1: Frequency command by keypad. 2: Motor speed (RPM) command by keypad. 3: Machine speed (MPM) command by keypad. 4: Frequency command by UP/DOWN terminal.	0~4	—	1	67		
F_003	Selection of "STOP" Key Validity	0: Start command by terminal, "STOP" key disabled. 1: Start command by terminal, "STOP" key enabled.	0,1	—	1	68		
F_004	Frequency Command Selection	0: In the monitor mode, frequency command cannot be changed. 1: In the monitor mode, frequency command is changeable.	0,1	—	1	68		
F_005	Selection of Frequency Command Auto-Storing	0: In the monitor mode, frequency command auto-storing disable. 1: In the monitor mode, frequency command auto-storing after 3 minutes.	0,1	—	1	68		
F_006	Selection of Main Display	Select 1 of 8 "monitor modes" as the main display. *Refer to "3-4-2 Description of Monitor Mode"	1~8	—	1	69		
F_007	Machine Speed Ratio	Set the ratio of machine speed. This function determines MPM display value.	0.00~500.00	0.01	20.00	69		
F_008	Digits of Decimal Value (Machine Speed)	Select the digits of decimal values displaying the machine speed.	0~3	—	0	69		

The color as means the functions can be set during operation.

Chapter 4 Parameter List

Func.	Name	Description				Range of Setting	Unit	dEF60	Page
		Jog speed command	Multi-speed level 3 command	Multi-speed level 2 command	Multi-speed level 1 command				
F_009	Primary Speed					0.00~ 400.00	0.01 Hz	50.00 (Note1)	70
		OFF	OFF	OFF	OFF			60.00 (Note2)	
F_010	Preset Speed 1	OFF	OFF	OFF	ON			10.00	70
F_011	Preset Speed 2	OFF	OFF	ON	OFF			20.00	70
F_012	Preset Speed 3	OFF	OFF	ON	ON			30.00	70
F_013	Preset Speed 4	OFF	ON	OFF	OFF			0.00	70
F_014	Preset Speed 5	OFF	ON	OFF	ON			0.00	70
F_015	Preset Speed 6	OFF	ON	ON	OFF			0.00	70
F_016	Preset Speed 7	OFF	ON	ON	ON			0.00	70
F_017	Jog Speed	ON	X	X	X			6.00	70
F_018	Reference Frequency of Accel/Decel Time	The frequency corresponding to accel/decel time.				0.01~ 400.00	0.01 Hz	50.00 (Note1) 60.00 (Note2)	72
F_019	Primary Acceleration Time	The acceleration time of primary speed, preset speed 4~7, and jog speed.				0.0~ 3200.0	0.1 sec	15.0 (Note5)	72
F_020	Primary Deceleration Time	The deceleration time of primary speed, preset speed 4~7, and jog speed.							
F_021	Acceleration Time of Preset Speed 1	Acceleration time of preset speed 1.							
F_022	Deceleration Time of Preset Speed 1	Deceleration time of preset speed 1.							
F_023	Acceleration Time of Preset Speed 2	Acceleration time of preset speed 2.							
F_024	Deceleration Time of Preset Speed 2	Deceleration time of preset speed 2.							
F_025	Acceleration Time of Preset Speed 3	Acceleration time of preset speed 3.							
F_026	Deceleration Time of Preset Speed 3	Deceleration time of preset speed 3.							
F_027	Secondary Acceleration Time	Switch to secondary acceleration time by multi-function input terminal.							
F_028	Secondary Deceleration Time	Switch to secondary deceleration time by multi-function input terminal.							

X: Don't care The color as means the functions can be set during operation.

Chapter 4 Parameter List

Func.	Name	Description	Range of Setting	Unit	dEF60	Page
F_029	Set S-curve for Accel/Decel Time	Set S-curve to slow the acceleration and deceleration time at start and stop.	0.0~5.0	0.1 sec	0.0	72
F_030	Limitation of Output Voltage	0: Output voltage of V/F pattern is not limited. 1: Output voltage of V/F pattern is limited.	0, 1	—	0	74
F_031	Maximum Output Frequency	Maximum output frequency of drive.	0.1~400.0	0.1Hz	50.0 (Note1) 60.0 (Note2)	74
F_032	Starting Frequency	Starting frequency of drive's output.	0.1~10.0	0.1Hz	0.5	74
F_033	Starting Voltage	The voltage corresponds to the output starting frequency.	0.1~50.0 0.1~100.0	0.1V	8.0 (Note3) 12.0 (Note4)	74
F_034	Base Frequency	The frequency corresponds to the base voltage in V/F pattern.	0.1~400.0	0.1Hz	50.0 (Note1) 60.0 (Note2)	74
F_035	Base Voltage	The voltage corresponds to the base frequency in V/F pattern.	0.1~255.0 0.1~510.0	0.1V	220.0 (Note3) 380.0 (Note4)	74
F_036	V/F Frequency 1	Frequency at the first point of V/F pattern.	0.0~399.9	0.1Hz	0.0	75
F_037	V/F Voltage 1	Voltage at the first point of V/F pattern.	0.0~255.0 0.0~510.0	0.1V	0.0	75
F_038	V/F Frequency 2	Frequency at the second point of V/F pattern.	0.0~399.9	0.1Hz	0.0	75
F_039	V/F Voltage 2	Voltage at the second point of V/F pattern.	0.0~255.0 0.0~510.0	0.1V	0.0	75
F_040	Vin Gain	Analog input "Vin" gain ratio adjustment.	0.00~2.00	0.01	1.00	76
F_041	Vin Bias	Analog input "Vin" bias ratio adjustment.	-1.00~1.00	0.01	0.00	76
F_042	Frequency Upper Limit	The upper limit of output frequency= F_031(Maximum Output Frequency)*F_042	0.00~1.00	0.01	1.00	81
F_043	Frequency Lower Limit	The lower limit of output frequency= F_031(Maximum Output Frequency)*F_043	0.00~1.00	0.01	0.00	81
F_044	Analog Output Signal Selection (FM+)	0: Output frequency 1: Frequency command 2: Output current 3: "Vin" analog input signal. 4: "lin" analog input signal. 5: DC bus voltage. 6: Output voltage.	0~6	—	0	82
F_045	Analog Output Gain (FM+)	Analog output gain ratio adjustment.	0.00~2.00	0.01	1.00	83
F_046	Motor Overload Protection (OL)	0: Disable 1: Overload protection for dependent cooling fan type motor: Enabled (OL) 2: Overload protection for independent cooling fan type motor: Enabled (OL)	0~2	—	1	84

The color as means the functions can be set during operation.

Chapter 4 Parameter List

Func.	Name	Description	Range of Setting	Unit	dEF60	Page
F_047	Filter Setting of Analog Input Signal	Filter the analog input signal when the frequency command is controlled by analog input terminal. (F_002=0).	0~255	—	20	81
F_048	Motor Rated Current	Set the value according to the motor rated current.	10%~150% of drive rated current	0.1A	According to the rated current of motor	84
F_049	Motor No-Load Current	Current setting according to the motor's no-load condition.	0~motor rated current	0.1A	1/3 motor rated current	84
F_050	Motor Slip Compensation	According to the load condition, set the motor slip compensation for motor running at constant speed. (0.0: off)	-9.9~10.0	0.1Hz	0.0	84
F_051	Number of Motor Poles	Determinate the RPM display value of monitor mode.	2~10	2P	4P	84
F_052	Multi-function Input Terminal (X1)	=0: UP/DOWN frequency command enter key	±1: Jog command ±2: Secondary accel/decel time command ±3: Multi-speed level 1 command ±4: Multi-speed level 2 command ±5: Multi-speed level 3 command ±6: Reset command ±7: External fault command (thr) ±8: Interruption of output command (bb) ±9: Coast to stop command (Fr) ±10: Speed tracing from the maximum frequency ±11: Speed tracing from the setting frequency ±12: Holding command ±13: UP command ±14: DOWN command ±15: Clear UP/DOWN frequency command ±16: Analog input source selection	-16 ~ +16 (Note 7)	—	85
F_053	Multi-function Input Terminal (X2)	=0: DC braking enable (at stop)				
F_054	Multi-function Input Terminal (X3)	=0: Current limit enable				
F_055	Multi-function Input Terminal (X4)	=0: Selection of primary or secondary frequency command (ON: secondary frequency command)				
F_056	Multi-function Input Terminal (X5)	=0: Stop command with 3-wire start/stop circuit (N.O; contact a)				
F_057	Multi-function Input Terminal (X6)	=0: Stop command with 3-wire start/stop circuit (N.C; contact b)				

The color as means the functions can be set during operation.

Chapter 4 Parameter List

Func.	Name	Description	Range of Setting	Unit	dEF60	Page
F_058	Multi-function Output Terminal (Y1)	0: Disable ±1: Operation command detection ±2: Constant speed detection ±3: Zero speed detection	-11 ~ +11 (Note 7)	—	3	92
F_059	Multi-function Output Terminal (Y2)	±4: Frequency detection ±5: Overload detection (OLO) ±6: Stall prevention detection ±7: Low voltage detection (LE)			2	
F_060	Multi-function Output Terminal (Ta1, Tb1)	±8: Braking detection ±9: Restart after instantaneous power failure detection ±10: Restart after error condition detection ±11: Error detection			11	
F_061	Constant Speed Detection Range	Set the bandwidth of constant speed detection range.	0.0~10.0	0.1Hz	2.0	97
F_062	Frequency Detection Range	Set the bandwidth of frequency detection range.	0.0~10.0	0.1Hz	2.0	97
F_063	Frequency Detection Level	Set the frequency detection level of multi-function output terminal.	0.0~400.0	0.1Hz	0.0	97
F_064	Automatic Torque Compensation Range	According to the load condition, adjust the output voltage of the V/F pattern. (0.0: off)	0.0~25.5	0.1	1.0	97
F_065	System Overload Detection (OLO)	0: Disable 1: Enable	0,1	—	0	97
F_066	System Overload Detecting Selection	0: Detection during constant speed only 1: Detection during operation only	0,1	—	0	97
F_067	Output Setting after System Overload	0: Drive keeps operation when the overload is detected 1: Drive trips to protection when the overload is detected	0,1	—	0	97
F_068	System Overload Detection Level	When the output current of drive is larger than the level with the duration of F_069, the drive will trip to protection.	30%~200% of drive rated current	1%	160	97
F_069	System Overload Detection Time	When the output current of drive is larger than the level (F_068 * drive's rated current) with the duration, the drive will trip to protection.	0.1~10.0	0.1 sec	0.1	97
F_070	Stall Prevention Level at Acceleration	If stall is occurred during acceleration, the motor keeps running at constant speed. (200%: off)	30%~200% of drive rated current	1%	170	99

The color as means the functions can be set during operation.

Chapter 4 Parameter List

Func.	Name	Description	Range of Setting	Unit	dEF60	Page
F_071	Stall Prevention Level at Constant Speed	While the stall is occurred during constant speed running condition, the prevention of stall is to decrease the speed of motor. (200%: off)	30%~200% of drive rated current	1%	160	99
F_072	Acceleration Time Setting after Stall Prevention under Constant Speed	Set the acceleration time after stall prevention under the constant speed.	0.1~3200.0	0.1 sec	15.0 (Note5)	99
F_073	Deceleration Time Setting for Stall Prevention under Constant Speed	Set the deceleration time at the stall prevention under the constant speed.	0.1~3200.0	0.1 sec	15.0 (Note5)	99
F_074	Stall Prevention Setting at Deceleration	0: Disable 1: Enable	0, 1	—	1	99
F_075	DC Braking Level	Set the current level of DC braking.	0~150% of drive rated current	1%	50	100
F_076	Time of DC Braking after Stop	Set the time for DC braking after drive stopped.	0.0~20.0	0.1 sec	0.5	100
F_077	Time of DC Braking before Start	Set the time for DC braking before drive started.	0.0~20.0	0.1 sec	0.0	100
F_078	Operation Selection at Instantaneous Power Failure	0: Drive cannot be restarted 1: Drive can be restarted 2: Ramp to stop 3: Drive will re-accelerate again during ramp to stop interval, when the power is restored.	0~3	—	0	101
F_079	Voltage Level of Ramp to Stop by Power Failure	Set the voltage of power source for ramp to stop.	150.0~192.0	0.1V	175.0 (Note3)	101
			300.0~384.0		320.0 (Note4)	
F_080	Auto-restart Times Setting of Error Trip	When the auto-restart times of error conditions (OC,OE,GF only) reach the setting value, the drive must be restarted manually. 0: disable	0~16	1	0	105
F_081	Switching Frequency	The setting value is higher and the motor noise is lower.	0~6	—	1 (Note6)	105
F_082	Stop Mode	0: Ramp to stop 1: Coast to stop 2: Coast to stop + DC braking	0~2	—	0	106
F_083	Reverse Prohibition	0: Reverse rotation allowed. 1: Reverse rotation NOT allowed.	0, 1	—	0	106

The color as means the functions can be set during operation.

Chapter 4 Parameter List

Func.	Name	Description	Range of Setting	Unit	dEF60	Page
F_084	Jump Frequency 1	Avoid mechanical resonance point 1.	0.0~400.0	0.1Hz	0.0	103
F_085	Jump Frequency 2	Avoid mechanical resonance point 2.	0.0~400.0	0.1Hz	0.0	103
F_086	Jump Frequency 3	Avoid mechanical resonance point 3.	0.0~400.0	0.1Hz	0.0	103
F_087	Jump Frequency Range	Set the range of the jump frequency 1, 2, 3.	0.0~25.5	0.1Hz	0.0	103
F_088	The Current Level of Speed Tracing	When the current is higher than the "speed tracing current level", the output frequency will trace downward.	0~200% of drive rated current	1%	150	103
F_089	Delay Time before Speed Tracing	Set the output delay time before the speed tracing.	0.1~5.0	0.1 sec	0.5	103
F_090	The V/F Pattern of Speed Tracing	Set the percentage of V/F output voltage at the speed tracing.	0~100%	1%	100	103
F_091	Error Record	Display the latest 5 error records.	—	—	—	106
F_092	Parameter Setting Lock	0: Parameters are changeable. Maximum frequency cannot exceed 120.0Hz. 1: Parameters are locked. Maximum frequency cannot exceed 120.0Hz. 2: Parameters are changeable. Maximum frequency can exceed 120.0Hz. 3: Parameters are locked. Maximum frequency can exceed 120.0Hz.	0~3	—	0	106
F_093	Automatic Voltage Regulation (AVR)	0: Disable 1: Enable	0,1	—	1	106
F_094	Drive Overload (OL1)	0: Disable 1: Thermal protection 2: Current limit overload protection 3: Both 1 and 2 enable	0~3	—	3	107
F_095	Power Source	The value of setting according to the actual power source.	190.0~240.0 340.0~480.0	0.1V	220.0 (Note3) 380.0 (Note4)	107
F_096	Holding Frequency	The drive accelerates to the holding frequency and running at constant speed.	0.0~400.0	0.1Hz	0.5	104
F_097	Holding Time Interval	The drive runs at holding frequency by constant speed and running the time interval.	0.0~25.5	0.1 sec	0.0	104
F_098	Grounding Fault Protection (GF)	0: Disable 1: Enable (GF)	0, 1	—	1	107

The color as means the functions can be set during operation.

Chapter 4 Parameter List

Func.	Name	Description	Range of Setting	Unit	dEF60	Page
F_099	External Indicator 1	Select the monitor mode of external indicator 1 0: Disable	0~8	—	1	104
F_100	External Indicator 2	Select the monitor mode of external indicator 2 0: Disable	0~8	—	2	104
F_101	External Indicator 3	Select the monitor mode of external indicator 3 0: Disable	0~8	—	3	104
F_102	V/F Pattern Selection	0: Linear. 1: Energy-saving mode (auto-adjust V/F pattern according to the load condition). 2: Square curve. 3: 1.7 th power curve. 4: 1.5 th power curve.	0~4	—	0	107
F_103	Subtracted Frequency of Deceleration at Power Failure	When the power failure, drive will reduce the frequency level before ramp to stop. (F_078 Operation Selection at Instantaneous Power Failure)=2 or 3	0.0~20.0	0.1Hz	3.0	101
F_104	Deceleration Time 1 of Ramp to Stop by Power Failure	Set a deceleration time down to the turning frequency set in F_106.	0.0~3200.0	0.1 sec	15.0 (Notes)	102
F_105	Deceleration Time 2 of Ramp to Stop by Power Failure	Set a deceleration slope below the frequency set in F_106	0.0~3200.0	0.1 sec	15.0 (Notes)	102
F_106	Turning Frequency of Ramp to Stop	Set the turning frequency level of ramp to stop when the deceleration time is switched from F_104 setting value to F_105 setting value.	0.0~400.0	0.1Hz	0.0	102
F_107	Analog Frequency Dead Band	When the noise of analog input signal is large, appropriately increase the dead band to stabilize the frequency command. But adjusting this function will reduce the tuning linearity of input signal.	0.00~2.55	0.01 Hz	0.00	81
F_108	Digital Input Response Time	When the pulse width of digital signal is lower than setting time, the signal disabled.	5~16	1ms	10	92
F_109	Reserved					
F_110	ADJ4 Function Selection	Set the function of ADJ4 switch of KP-202 keypad.	0~49	—	1	108
F_111	ADJ5 Function Selection	Set the function of ADJ5 switch of KP-202 keypad.	0~49	—	20	108
F_112	ADJ6 Function Selection	Set the function of ADJ6 switch of KP-202 keypad.	0~49	—	17	108

The color as means the functions can be set during operation.

Chapter 4 Parameter List

Func.	Name	Description	Range of Setting	Unit	dEF60	Page
F_113	DIP1 Function Selection	Set the function of DIP1 switch of KP-202 keypad.	0~15	—	8	108
F_114	DIP2 Function Selection	Set the function of DIP2 switch of KP-202 keypad.	0~15	—	5	108
F_115	DIP3 Function Selection	Set the function of DIP3 switch of KP-202 keypad.	0~15	—	3	108
F_116	DIP4 Function Selection	Set the function of DIP4 switch of KP-202 keypad.	0~15	—	1	108
F_117	Pot Knob of KP-202 keypad Function Selection	Set the function of pot knob of KP-202 keypad.	0~49	—	0	108
F_118	UP/DOWN Memory Selection	0: Clear the UP/DOWN frequency command when power failure. 1: Save the UP/DOWN frequency command at F_121 when power failure.	0, 1	—	0	91
F_119	UP/DOWN Frequency Resolution	0: 0.01Hz 1~8: x0.05Hz 9: 0.5Hz 10~250: x0.1Hz	0~250	—	0	91
F_120	UP/DOWN Trigger Mode	1~5: Cntinuous accel./decel. when the terminal is activated with the duration (1 ~ 5 sec). 6: Edge trigger.	1~6	—	1	91
F_121	UP/DOWN Frequency Adjustment	Adjust UP/DOWN frequency by KP-201C keypad.	0.00~400.00	0.01 Hz	0.00	91
F_122	Secondary Frequency Command Selection	0: Frequency command by analog signal via terminal. 1: Frequency command by keypad. 2: Frequency command by UP/DOWN terminal.	0~2	—	0	90
F_123	Analog Input Selection	0: Vin+lin 1: Vin-lin 2: lin-Vin 3: Vin or lin (switch by multi-function input terminal X1 ~ X6).	0~3	—	0	77
F_124	Analog Input Selection (Vin)	0: Analog input gain. 1: Frequency command. 2: Current limit level. 3: Analog input (Vin) can adjust output voltage of V/F pattern	0~3	—	1	77
F_125	Analog Input Selection (lin)	0: Analog input gain. 1: Frequency command. 2: Current limit level. 3: Analog input (lin) can adjust output voltage of V/F pattern	0~3	—	1	78

The color as means the functions can be set during operation.

Chapter 4 Parameter List

Func.	Name	Description	Range of Setting	Unit	dEF60	Page
F_126	lin Range Selection	0: 4~20mA (2~10V). 1: 0~20mA (0~10V).	0,1	—	0	78
F_127	Analog Input Gain(lin)	The gain ratio of analog input terminal lin.	0.00~2.00	0.01	1.00	76
F_128	Analog Input Bias(lin)	The bias ratio of analog input terminal lin.	-1.00~1.00	0.01	0.00	76
F_129	Analog Output Signal Selection (AM+)	0: Output frequency. 1: Frequency command. 2: Output current. 3: Vin frequency command. 4: lin frequency command. 5: DC bus voltage 6: Output voltaga	0~6	—	2	82
F_130	Analog Output Gain (AM+)	AM+ analog output adjustment ratio.	0.00~2.00	0.01	1.00	83
F_131	Multi-function Output Terminal (Ta2/Tc2)	The way of settings are same as multi-function output terminals setting. (F_058 ~ F_060)	-11~+11 (Note 7)	—	1	92
F_132	DC Braking Frequency at Stop	Active frequency level of DC braking at stop.	0.1~60.0	0.1Hz	0.5	100
F_133	Current Limit Level	Monitor the setting value of current limit level percentage.	—	—	—	89
F_134	Default Setting	0: Disable CLF: Clear fault records dEF60: Restore the default value of drive for 60Hz. dEF50: Restore the default value of drive for 50Hz. SAv: Save the setting value. rES: Restore the setting value. rd_EE: Read the parameters from drive to digital keypad Wr_EE: Write the parameters from digital keypad to drive	—	—	0	69

The color as means the functions can be set during operation.

Note:

1. Default value of 50Hz.
2. Default value of 60Hz.
3. Specification of 200V series.
4. Specification of 400V series.
5. 0.5 ~ 5HP: 5sec
7.5 ~ 30HP: 15sec
40HP above: 30sec
6. RM5G series: When switching frequency setting exceeds 4, the drive must be de-rating or selecting higher capacity.
RM5P series: When switching frequency setting exceeds 2, the drive must be de-rating or selecting higher capacity.
7. +: Represents a contact (N.O)
—: Represents b contact (N.C)

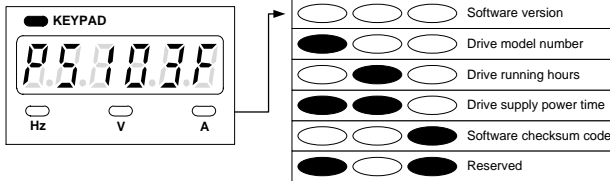
No Text on This Page

Chapter 5 Parameter Setting Description

A. The Keypad Setup

F_000	Drive Information
-------	-------------------

- The drives with different software versions cannot execute readout or writing, otherwise, the parameters will occur error and the keypad will display **888888** message.
- Three LED indicators (Hz, V, A) replace the corresponding information of drive as below table.



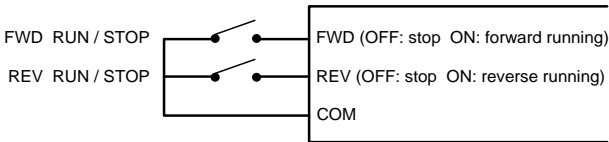
- Pressing the or key can switch display status.

F_001	Start Command Selection
-------	-------------------------

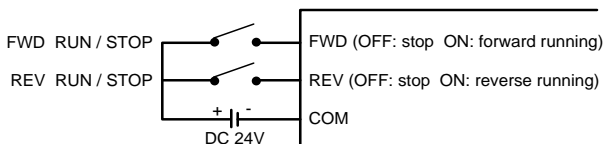
a. F_001=0

- FWD and REV terminals both control the start command and rotation direction.**
- Drive stops operation when FWD and REV terminals are simultaneously open-circuit or short-circuit.

SINK (NPN) mode:



SOURCE (PNP) mode:

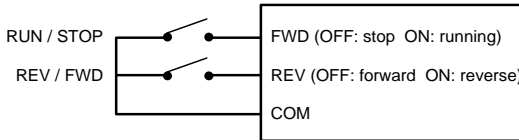


b. F_001=1

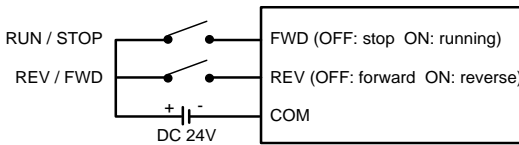
Start command by FWD terminal.

Rotation direction command by REV terminal.

SINK (NPN) mode:



SOURCE (PNP) mode:



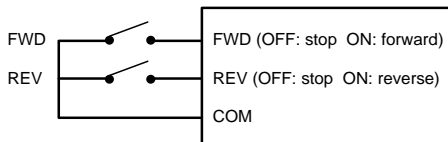
c. F_001=2

(I). Start command by keypad “RUN” key.

Rotation direction command by FWD or REV terminal.

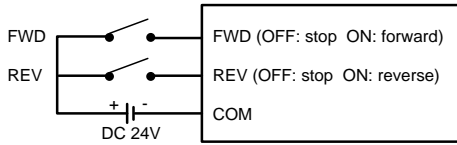
(II). Drive stops operation when FWD and REV terminals are simultaneously open-circuit or short-circuit.

SINK (NPN) mode:



Chapter 5 Parameter Setting Description

SOURCE (PNP) mode:



d. F_001=3

**Start command by the keypad “RUN” key.
Motor rotates at the forward direction (clockwise).**

e. F_001=4

- (I). **Start command by keypad “RUN” key.
Motor rotates at the reverse direction (counterclockwise).**
- (II). The most left digit of output frequency will show “-”.

Note:

1. When F_001 set to 0 or 2 and FWD-COM and REV-COM are simultaneously open-circuit, the monitor mode will display blanking “8.8.8.8.8.8” (except “Display 8-terminal status”). If FWD-COM and REV-COM are simultaneously short-circuit, the monitor mode will display blanking “8.8.8.8.8.8” (except “Display 8-terminal status”).
2. The definition of rotation direction is according to IEC (International Electrotechnical Commission) standard. Observing the motor from axle center side, not the fan side. The standard rotation direction (Forward) is clockwise

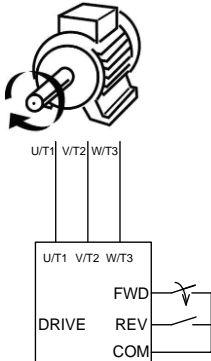


Figure A

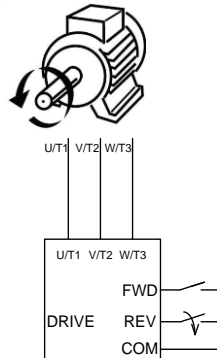


Figure B

EX: F_001=0,

Forward (FWD) rotation is clockwise (Figure A).

Reverse (REV) rotation is counter-clockwise (Figure B).

F_002	Primary Frequency Command Selection
-------	-------------------------------------

a. F_002=0

Frequency command by “Vin” or “lin” analog input terminal (select Vin or lin analog input sources by F_123).

- (I). Vin-GND: Input range DC 0~10V ◦
 - ※ The gain or bias of frequency command can be set by function F_040 and F_041.
- (II). lin-GND: Select the input signal mode via “SW1” switch.
 - SW1→I position (current signal); Range: 4~20mA or 0~20mA (set by F_126).
 - SW1→V position (voltage signal); Range: 2~10V or 0~10V (set by F_126).
 - ※ The gain or bias of frequency command can be set by function F_127 and F_128.

b. F_002=1

Frequency command by keypad.

- (I). In keypad KP-201C, the primary speed, jog speed and preset speeds (F_009 ~ F_017) can be set during operation and the frequency command can be set under monitor mode.
- (II). In keypad KP-202, the pot knob can be defined by speed control.

c. F_002=2

Motor speed (RPM) command by keypad (KP-201C).





d. F_002=3

Machine speed (MPM) command by keypad (KP-201C).

e. F_002=4

Frequency command by UP/DOWN terminal.

Multi-function input terminals can be set UP command, DOWN command, UP/DOWN frequency clear and enter commands.

Note: In monitor mode, when F_002 sets 1, 2 or 3, pressing  or  key one time and the frequency command will be blink but not changing. Press the  or  key again to change the frequency command.

Chapter 5 Parameter Setting Description

F_003	Selection of "STOP" Key Validity
-------	----------------------------------

a. F_003=0

When the start command by terminal, the "STOP/RESET" key of keypad disabled.

b. F_003=1

When the start command by terminal, the "STOP/RESET" key of keypad enabled.

c. The applications of "STOP" key.

(I). Emergency stop:

When the start and frequency command are both controlled by multi-function input terminal (F_001=0 or 1), the output frequency will be decreased to 0Hz and displaying **8.8.8.0.00** on keypad by pressing "STOP/RESET" key during operation.

If the drive needs to be restarted, cut off the wire between the terminals of the start command (FWD or REV) and COM and restart the drive again.

(II). Normal stop:

F_001=2 or 3, the start command by "RUN" key of keypad KP-201C and the stop is controlled by "STOP/RESET" key.

F_004	Frequency Command Selection
-------	-----------------------------

a. F_004=0

In the monitor mode, the frequency command cannot be changed by KP-201C keypad to avoid possible mistakes and errors.

b. F_004=1

In the monitor mode, the frequency command can be changed by KP-201C keypad.

F_005	Selection of Frequency Command Auto-Storing
-------	---

a. F_005=0

In the monitor mode, the frequency command will not be saved automatically.

b. F_005=1

In the monitor mode, the frequency command will be saved automatically after 3 minutes.

F_006	Selection of Main Display
-------	---------------------------

The function of F_006 (Main Display Selections) is corresponding setting of KP-201C. In the monitor mode, there are 8 monitor modes that can be selected. The corresponding value and monitor modes are shown in the table below:

1. Output Frequency	5. Output Current
2. Frequency Command	6. Motor Speed (RPM)
3. Output Voltage	7. Machine speed (MPM)
4. DC bus Voltage	8. Terminals Status

Note: One of the above 8 monitor modes can be selected as the "main display", and others can be as the "auxiliary display". When the display is under "auxiliary display" mode (including the setting mode and other monitor modes), the display will switch to "main display" automatically after 3 minutes by idling the keypad.

F_007	Machine Speed Ratio
-------	---------------------

Set the displaying ratio for "display 7-machine speed" under monitor mode.

Machine speed = machine speed ratio (F_007) x output frequency

F_008	Digits of Decimal Value (Machine Speed)
-------	---

Set the digits of decimal values for machine speed to provide the better resolution for observing. (the max. accuracy is the thousandth digit)

F_134	Default Setting
-------	-----------------

Drive can restore the default setting values and restoring the parameter setting values. The parameter of F_134 are described in the table below:

(0): Disable
(CLF): Clear error records
(dEF60): Restore the default value of drive for 60Hz.
(dEF50): Restore the default value of drive for 50Hz.
(SAV): Save the setting value.
(rES): Restore the setting value.
(rd_EE): Read the parameters from drive to digital keypad
(Wr_EE): Write the parameters from digital keypad to drive

Note: and are used to copy functions to several drives with the same setting value. (Please refer to page 49)

B. Preset Speed Setup

F_009	Primary Speed
F_010	Preset Speed 1
F_011	Preset Speed 2
F_012	Preset Speed 3
F_013	Preset Speed 4
F_014	Preset Speed 5
F_015	Preset Speed 6
F_016	Preset Speed 7
F_017	Jog Speed

a. Related functions:

- (I) The setting of acceleration and deceleration time (F_018 ~ F_029).
- (II) The setting of multi-function input terminals (F_052 ~ F_057).

b. Switch of jog speed, primary speed and preset speeds.

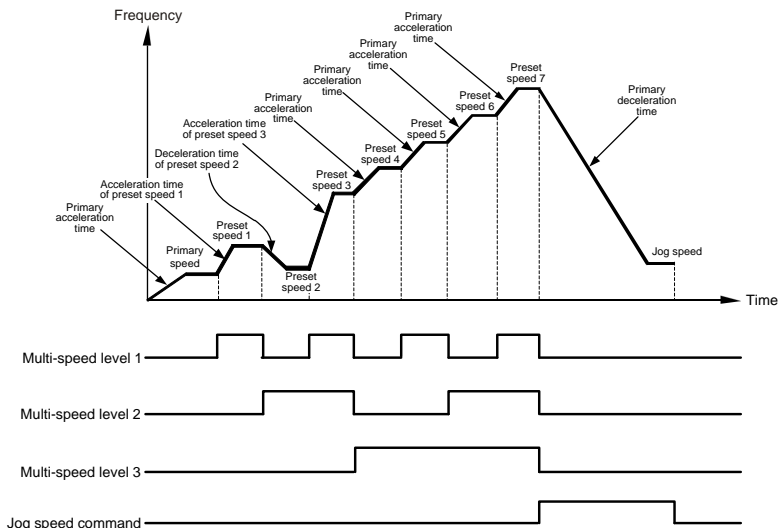
※ **The ON/OFF conditions as below table are “contact a (N.O)” setting of functions.**

Jog speed command	Multi-speed level 3 command	Multi-speed level 2 command	Multi-speed level 1 command	Command Description
ON	X	X	X	Jog speed
OFF	OFF	OFF	OFF	Primary speed
OFF	OFF	OFF	ON	Preset speed 1
OFF	OFF	ON	OFF	Preset speed 2
OFF	OFF	ON	ON	Preset speed 3
OFF	ON	OFF	OFF	Preset speed 4
OFF	ON	OFF	ON	Preset speed 5
OFF	ON	ON	OFF	Preset speed 6
OFF	ON	ON	ON	Preset speed 7

Note:

1. “X”: Don't care
2. Jog speed has the highest priority. That is, when the jog speed is activated, other speed commands disabled.
3. Jog speed command and the multi-speed commands are programmed by the multi-function input terminals (X1 ~ X6) by functions (F_052 ~ F057). ON / OFF the terminal in accordance with above table to switch the speed.
4. “ON”:
The terminal is short-circuit at contact a (N.O) setting.
The terminal is open-circuit at contact b (N.C) setting.
“OFF”:
The terminal is open-circuit at contact a (N.O) setting
The terminal is short-circuit at contact b (N.C) setting.
5. The priority of speed command: Jog speed>Multi-sped>primary speed

c. Multi-speed and acceleration/deceleration time



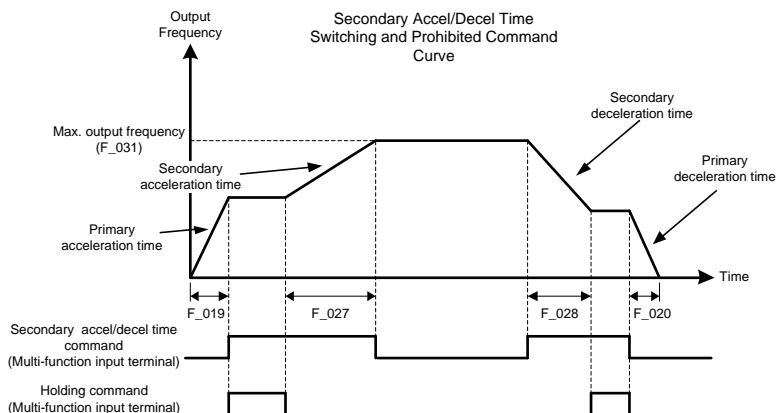
- ※ The acceleration / deceleration time of jog speed and preset speed 4~7 are according to the setting of primary acceleration / deceleration time (F_019, F_020).
- ※ Jog speed control include start command. When drive stop, activating the jog speed command can start the drive without start command.
- ※ Analog input terminals (Vin, lin) are disabilities under jog speed, preset speed 1~7 and primary speed control.
- ※ Please refer to F_018 ~ F_029 for acceleration / deceleration time setting.

C. Multi-Speed Accel./Decel. Time Setup

F_018	Reference Frequency of Accel/Decel Time
F_019	Primary Acceleration Time
F_020	Primary Deceleration Time
F_021	Acceleration Time of Preset Speed 1
F_022	Deceleration Time of Preset Speed 1
F_023	Acceleration Time of Preset Speed 2
F_024	Deceleration Time of Preset Speed 2
F_025	Acceleration Time of Preset Speed 3
F_026	Deceleration Time of Preset Speed 3
F_027	Secondary Acceleration Time
F_028	Secondary Deceleration Time
F_029	Set S-curve for Accel/Decel Time

- The multi-speeds acceleration / deceleration time is the time interval from 0Hz to the setting of F_018 (Reference Frequency of Accel/Decel Time). Multi-speed level commands can simultaneously control preset speeds and the preset speed acceleration / deceleration time.
- The acceleration / deceleration time of primary speed, preset speed 4 ~ 7 and jog speed are controlled by the setting of primary acceleration / deceleration time.
- The switch between primary accel / decel and secondary accel / decel can be selected by multi-function input terminals.

Illustration is as follows:

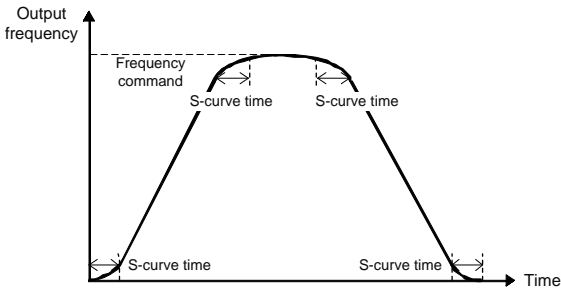


- d. The “holding command” is disabled when STOP command is activated.

※STOP command:

- (I) When F_001 set 0 or 2, “FWD” and “REV” terminals are simultaneously short-circuit or open-circuit.
 - (II) When F_001 set 1, “FWD” terminal is open-circuit.
 - (III) When F_003 set 1, pressing the “STOP” key.
 - (IV) Press the “STOP” key when start command by keypad.
- e. Set the S-curve function depend on the application to buffer the impact during start, stop, acceleration and deceleration.

EX: To buffer the impact when the object fall on the conveyor line or the running of elevator.



D. V/F Pattern Setup

F_030	Limitation of Output Voltage
-------	------------------------------

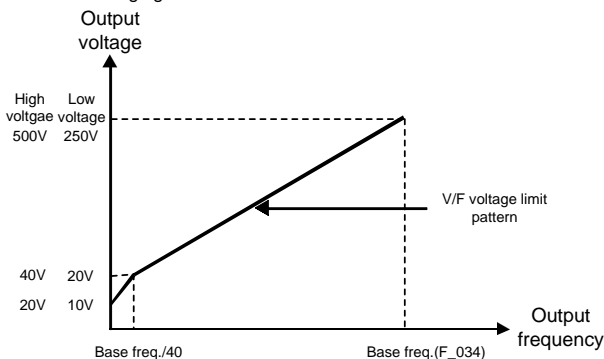
a. F_030 = 0

The output voltage of V/F pattern: No limit

b. F_030 = 1

The output voltage of V/F pattern :Limit (200V series: 250.0V; 400V series: 500.0V)

As the following figure :



F_031	Maximum Output Frequency
-------	--------------------------

RM5G series: The setting range of max output frequency is 0.1 ~ 400.0.

RM5P series: The setting range of max output frequency is 0.1 ~ 120.0.

F_032	Starting Frequency
-------	--------------------

F_033	Starting Voltage
-------	------------------

The range of 200V series is 0.1 ~ 50.0V.

The range of 400V series is 0.1 ~ 100.0V.

F_034	Base Frequency
-------	----------------

Motor base frequency;

The setting must be according to the nameplate of motor.

F_035	Base Voltage
-------	--------------

Motor base voltage;

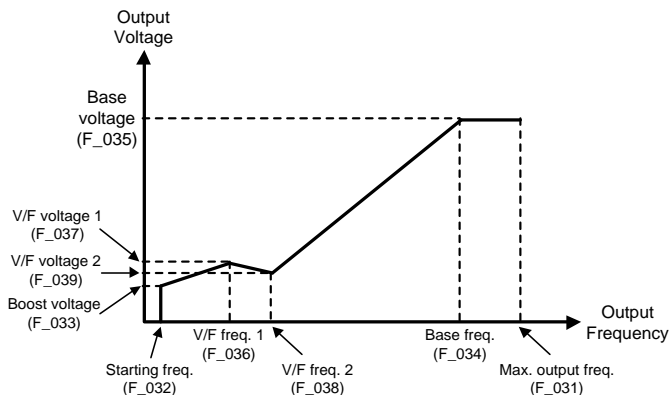
The setting must be according to the nameplate of motor.

(200V series: 0.1~255.0V; 400V series: 0.1~510.0V)

F_036	V/F Frequency 1
F_037	V/F Voltage 1 (200V series: 0.0~255.0V; 400V series: 0.0~510.0V)
F_038	V/F Frequency 2
F_039	V/F Voltage 2 (200V series: 0.0~255.0V; 400V series: 0.0~510.0V)

F_031 ~ F_039 are the functions related to V/F pattern. Please refer to below figure:

V/F Pattern



Note: The interrelationships of above functions are explained as follow:

- (I) The priority of frequency level:
Base frequency > V/F frequency 2 > V/F frequency 1 > start frequency
- (II) When the setting value of V/F frequency 2 is less than the setting value of V/F frequency 1, the setting of V/F frequency (voltage) 2 is disable.
- (III) When V/F frequency 1 or V/F frequency 2 is less than the starting frequency, the V/F frequency (voltage) 1 or 2 is disable.
- (IV) No limitation between F_033 (Starting Voltage), F_035 (Base Voltage), F_037 (V/F Voltage 1), F_039 (V/F Voltage 2) when setting the values.

Chapter 5 Parameter Setting Description

E. Analog Input Command Setup

The analog input terminals:

“Vin” – “GND”: 0~10V;

“lin” – “GND”: 4~20mA (2~10V) or 0~20mA (0~10V)

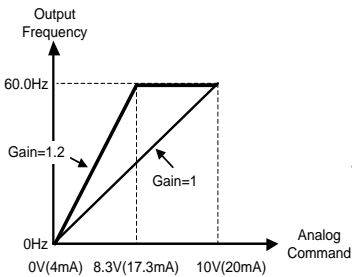
F_040	Vin Gain
F_127	Analog Input Gain (lin)

- a. The corresponding frequency command value of analog command =
Maximum output frequency (F_031) x Analog input gain (F_040 or F_127)

EX: If analog input bias (F_041 or F_128) = 0.00

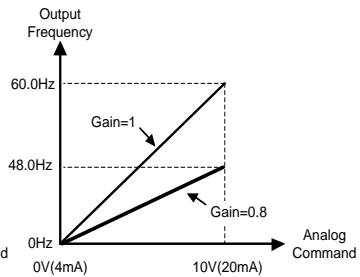
Maximum output frequency = 60.0Hz

Analog input gain = 1.20



Maximum output frequency = 60.0Hz

Analog input gain = 0.80



F_041	Vin Bias
F_128	Analog Input Bias (lin)

- a. The corresponding frequency command value of analog command =
maximum output freq. (F_031) x analog input bias (F_041 or F_128)

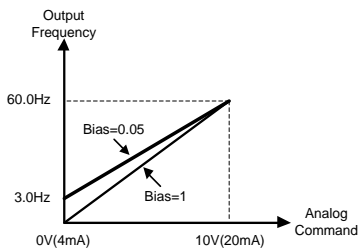
b.
$$\text{Freq. command} = \frac{(\text{Max. freq. command} - C.V)}{10V \text{ (or } 20mA)} \times (\text{Analog command}) + C.V$$

* C.V = The corresponding frequency command value of analog command

EX: If analog input gain (F_040 or F_127) = 1.00

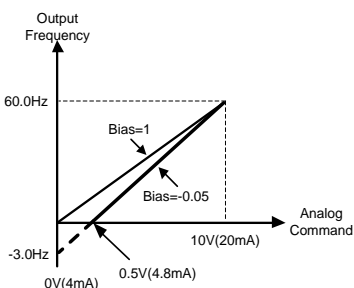
Maximum output frequency = 60.0Hz

Analog input bias = 0.05

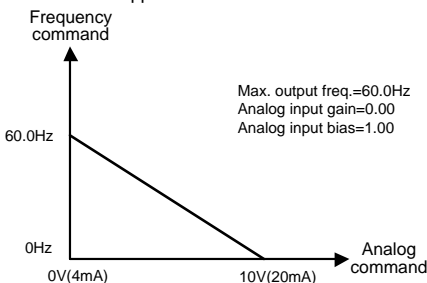


Maximum output frequency = 60.0Hz

Analog input bias = -0.05



Example of reverse control application:



F_123	Analog Input Selection
-------	------------------------

- 0: Vin+lin
- 1: Vin-lin
- 2: lin-Vin
- 3: Vin or lin (switch by multi-function input terminal X1 ~ X6)

F_124	Analog Input Selection (Vin)
-------	------------------------------

- 0: Analog input gain
- 1: Frequency command
- 2: Current limit level
The level setting range is 1 ~150%. (the setting value displays at F_133)
- 3: Analog input (Vin) can adjust output voltage of V/F pattern

Chapter 5 Parameter Setting Description

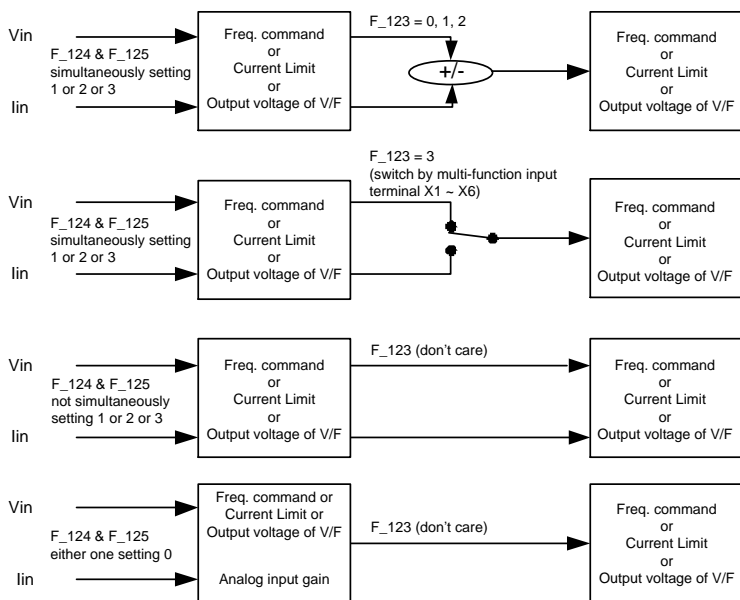
F_125 Analog Input Selection (lin)

- 0: Analog input gain
- 1: Frequency command
- 2: Current limit level
The level setting range is 1 ~150%. (the setting value displays at F_133)
- 3: Analog input (lin) can adjust output voltage of V/F pattern

F_126 lin Range Selection

- 0: 4~20mA(2-10V)
- 1: 0~20mA(0-10V)

The interrelationships of F_123, F_124 and F_125 are shown as below figure:



Chapter 5 Parameter Setting Description

The interrelationships table of F_123, F_124, F_125

F_123 Analog Input Selection	F_124 Analog Input Selection (Vin)	F_125 Analog Input Selection (lin)	Description
0	1	1	Vin & lin: Frequency command. Vin + lin
0	2	2	Vin & lin: Current limit level. Vin + lin
0	3	3	Vin & lin: Output voltage adjustment of V/F pattern. Vin + lin
1	1	1	Vin & lin: Frequency command. Vin - lin
1	2	2	Vin & lin: Current limit level. Vin - lin
1	3	3	Vin & lin: Output voltage adjustment of V/F pattern. Vin - lin
2	1	1	Vin & lin: Frequency command. lin - Vin
2	2	2	Vin & lin: Current limit level. lin - Vin
2	3	3	Vin & lin: Output voltage adjustment of V/F pattern. lin - Vin
3	1	1	Vin & lin: Frequency command. Vin or lin (switch by multi-function input Terminal X1 ~ X6).
3	2	2	Vin & lin: Current limit level. Vin or lin (switch by multi-function input Terminal X1 ~ X6).
3	3	3	Vin & lin: Output voltage adjustment of V/F pattern. Vin or lin (switch by multi-function input Terminal X1 ~ X6).
X	1	0	Vin: Frequency command. lin: Analog input gain of Vin.
X	0	1	Vin: Analog input gain of lin. lin: Frequency command.
X	1	2	Vin: Frequency command. lin: Current limit level.

Chapter 5 Parameter Setting Description

F_123 (Analog Input Selection)	F_124 Analog Input Selection (Vin)	F_125 Analog Input Selection (lin)	Description
X	1	3	Vin: Frequency command. lin: Output voltage adjustment of V/F pattern.
X	2	1	Vin: Current limit level. lin: Frequency command.
X	2	3	Vin: Current limit level. lin: Output voltage adjustment of V/F pattern.
X	3	1	Vin: Output voltage adjustment of V/F pattern. lin: Frequency command.
X	3	2	Vin: Output voltage adjustment of V/F pattern. lin: Current limit level.
X	1	0	Vin: Frequency command. lin: Analog input gain of Vin.
X	0	1	Vin: Analog input gain of lin. lin: Frequency command.
X	1	2	Vin: Frequency command. lin: Current limit level.
X	1	3	Vin: Frequency command. lin: Output voltage adjustment of V/F pattern.
X	2	1	Vin: Current limit level. lin: Frequency command.
X	2	3	Vin: Current limit level. lin: Output voltage adjustment of V/F pattern.
X	3	1	Vin: Output voltage adjustment of V/F pattern. lin: Frequency command
X	3	2	Vin: Output voltage adjustment of V/F pattern. lin: Current limit level.

F_047	Filter Setting of Analog Input Signal
-------	---------------------------------------

- a. Filter the analog input signal when the frequency command by analog input terminals. (F_002=0).
- b. The larger setting value will cause the slower response.
- c. 0: Disable the filtering.

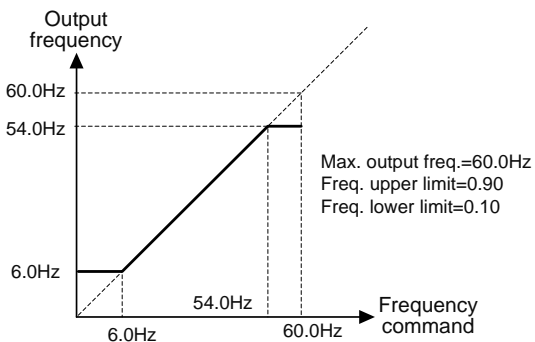
F_107	Analog Frequency Dead Band
-------	----------------------------

- a. When the noise of analog input signal is large, appropriately increase the dead band to stabilize the frequency command. But adjusting this function will reduce the tuning linearity of input signal.
- b. This setting must be applied along with the F_047.

F. The Upper and Lower Frequency Limit Setup

F_042	Frequency Upper Limit
F_043	Frequency Lower Limit

Illustrate as following figure:



- a. Upper limit of output frequency = F_042 (Frequency Upper Limit) x F_031 (Maximum Output Frequency)
- b. Lower limit of output frequency = F_043 (Frequency Lower Limit) x F_031 (Maximum Output Frequency)

G. Analog Output Setup

The analog output terminals:

“FM+” – “M-”: DC 0 ~ 10V;

“AM+” – “M-”: DC 0 ~ 10V

(1/2 HP ~ 5HP models are marked by “FM+” – “GND” and “AM+” – “GND”)

F_044	Analog Output Signal Selection(FM+)
F_129	Analog Output Signal Selection(AM+)

0: Output frequency

The analog output terminal(FM+ or AM+) outputs DC 0~10V to correspond the output frequency. (the terminal will output signal when drive operation)

1: Frequency command

The analog output terminal(FM+ or AM+) outputs DC 0~10V to correspond the frequency command. (the terminal will output when drive is operation or stop)

2: Output current

The analog output terminal(FM+ or AM+) outputs DC 0~10V to correspond the output current. (max. corresponding value is rated output current of drive)

3: “Vin” analog input signal

The analog output terminal(FM+ or AM+) outputs DC 0~10V to correspond the signal of “Vin” analog input terminal. (the setting is activation when F_124=1)

4: “lin” analog input signal

The analog output terminal(FM+ or AM+) outputs DC 0~10V to correspond the signal of “lin” analog input terminal. (the setting is activation when F_125=1)

5: “DC bus voltage”

The analog output terminal(FM+ or AM+) outputs DC 0~10V to correspond the DC bus voltage.

(Maximum corresponding value of 100V/200V series drive is 500V)

(Maximum corresponding value of 400V series drive is 1000V)

6: “Output voltage”

The analog output terminal(FM+ or AM+) outputs DC 0~10V to correspond the output voltage.

(Maximum corresponding value of 100V/200V series drive is 255V)

(Maximum corresponding value of 400V series drive is 510V)

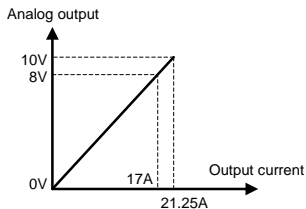
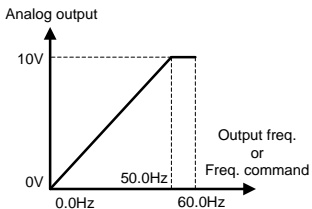
F_045	Analog Output Gain(FM+)
F_130	Analog Output Gain(AM+)

a. Analog output gain = $\frac{\text{Maximum output freq.}}{\text{Output freq. (freq. command)}}$ or $\frac{\text{Drive rated current}}{\text{Output current}}$

b. Analog output curve

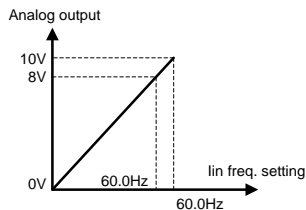
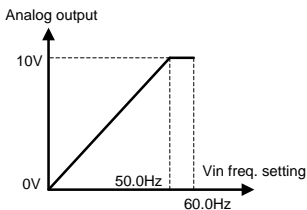
Maximum output freq. = 60.0Hz
 Analog output signal selection = 0, 1
 Analog output gain = 1.20

Driver rated current = 17A
 Analog output signal selection = 2
 Analog output gain = 0.80



Maximum output freq. = 60.0Hz
 Analog output signal selection = 3
 Analog output gain = 1.20

Maximum output freq. = 60.0Hz
 Analog output signal selection = 4
 Analog output gain = 0.08



H. Motor Protection Setup

F_046	Motor Overload Protection (OL)
-------	--------------------------------

Enable the function can preventing the motor from damage by operating in the overload condition for a long time.

0: Disable

1: Overload protection for dependent cooling fan type motor: Enabled (OL)

2: Overload protection for independent cooling fan type motor: Enabled (OL)

F_048	Motor Rated Current
-------	---------------------

F_049	Motor No-Load Current
-------	-----------------------

F_050	Motor Slip Compensation
-------	-------------------------

a. The slip of motor is variable depending on the load. When the load current is over the level of slip compensation, the drive will compensate the output frequency to output constant speed. The setting range is -9.9~10.0Hz.

b. Compensation frequency =

$$\frac{\text{Loading current} - (\text{No - load current (F_049)})}{\text{Rated current(F_048)} - (\text{No - load current (F_049)})} \times \text{Slip compensation(F_050)}$$

F_051	Number of Motor Poles
-------	-----------------------

a. The settings are listed as below:

2P, 4P, 6P, 8P, 10P

b. The rotation speed display in the monitor mode:

$$\text{Motor speed(RPM)} = \frac{120}{\text{Number of motor poles(F_051)}} \times \text{Output frequency}$$

I. Multi-Function Input Setup

F_052	Multi-function Input Terminal (X1)
F_053	Multi-function Input Terminal (X2)
F_054	Multi-function Input Terminal (X3)
F_055	Multi-function Input Terminal (X4)
F_056	Multi-function Input Terminal (X5)
F_057	Multi-function Input Terminal (X6)

- a. “+” represents positive logic (N.O; contact a)
- b. “-” represents negative logic (N.C; contact b)
- c. Multi-function terminals X1 ~ X6 can be set to perform following functions:

±1: Jog command (refer to F_017)

±2: Secondary accel/decel time command (refer to F_027, F_028)

±3: Multi-speed level 1 command (refer to F_010 ~ F_016)

±4: Multi-speed level 2 command (refer to F_010 ~ F_016)

±5: Multi-speed level 3 command (refer to F_010 ~ F_016)

±6: Reset command

When the drive trips to stop, executing reset command can clear the fault

±7: External fault command (thr)

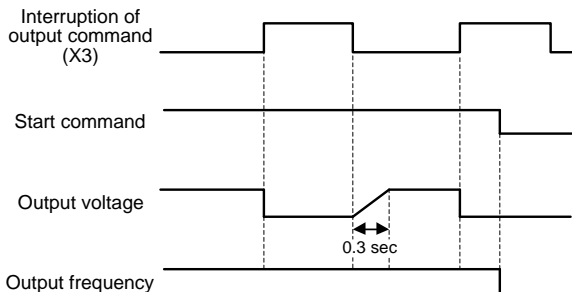
a. When the terminal received the fault command during operation, drive trips to stop.

b. This function is disabled when the drive at stop condition

±8: Interruption of output command (bb)

The parameter can interrupt the output voltage of drive.

Interruption of output command (F_054=8)

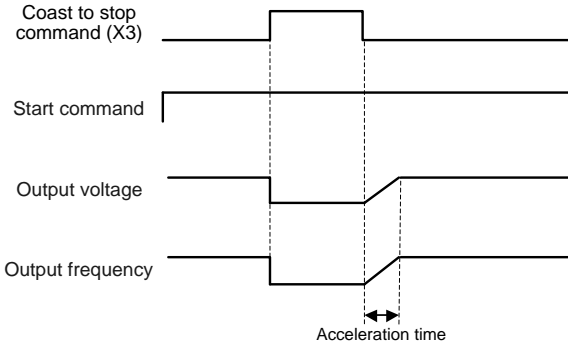


Chapter 5 Parameter Setting Description

±9: Coast to stop command (Fr)

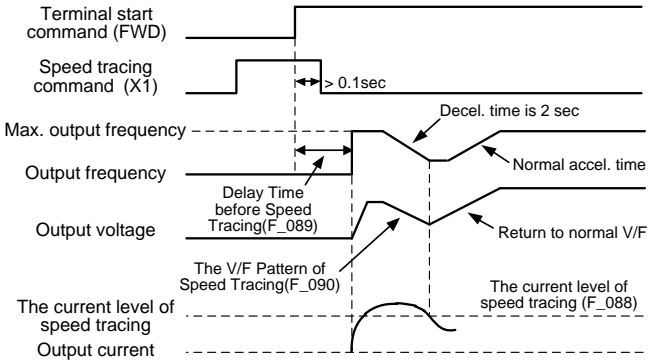
Cut off the control of motor from drive immediately.

Coast to stop command (F_055=9)



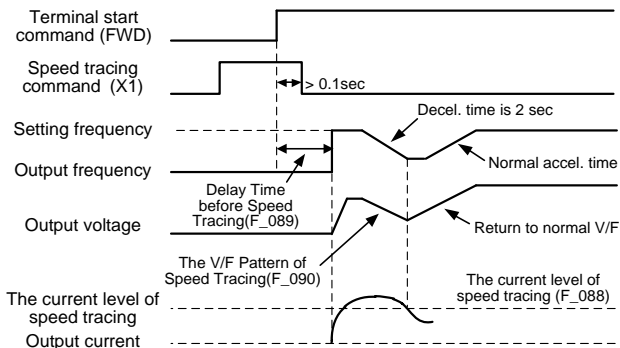
±10: Speed tracing from the maximum frequency

Speed tracing from the maximum frequency
(F_053=10)



±11: Speed tracing from the setting frequency

Speed tracing from the setting frequency
(F_053=11)



±12: Holding command (refer to page 72)

±13: UP command

Frequency command can be increased by step.

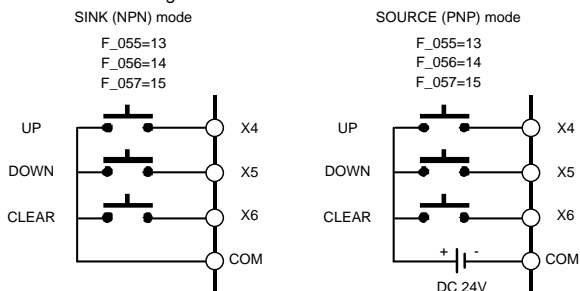
±14: DOWN command

Frequency command can be decreased by step.

±15: Clear UP/DOWN frequency command

Frequency command is cleared to 0.00Hz.

Illustrate as below figures:



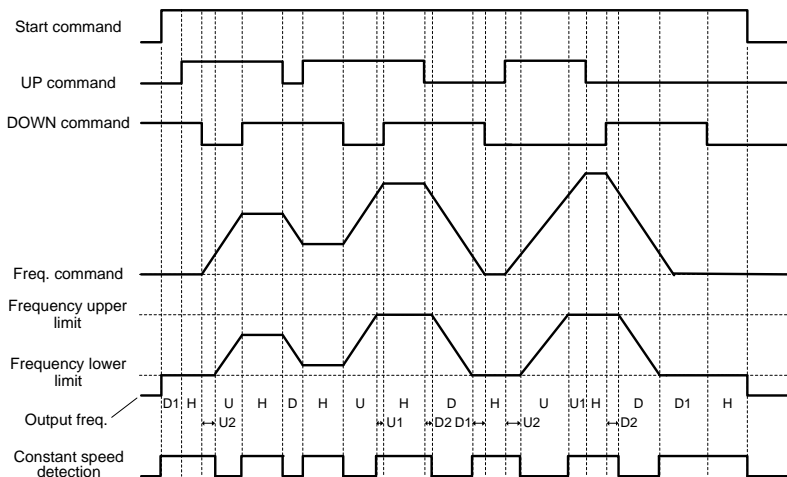
±16: Analog input source selection

Select one of analog input sources (Vin or lin) as the input signal.

F_123 = 3 (Vin or lin)

+16	Terminal short-circuit: Analog input source (Vin).
	Terminal open-circuit: Analog input source (lin).
-16	Terminal short-circuit: Analog input source (lin).
	Terminal open-circuit: Analog input source (Vin).

Time chart of UP/DOWN command



U=UP (acceleration) condition

D=DOWN (deceleration) condition

H=HOLD (constant speed) condition

U1=UP condition bounded at the upper limit of the frequency.

U2=UP condition bounded at the lower limit of the frequency.

D1=DOWN condition bounded at the lower limit of the frequency.

D2=DOWN condition bounded at the upper limit of the frequency.

- d. When the parameter of F_052, F_053, F_054, F_055, F_056 and F_057 is set to "0", the functions are described as below:

- i. F_052: "UP/DOWN frequency command enter key" by X1.

X1 and COM is open-circuit:

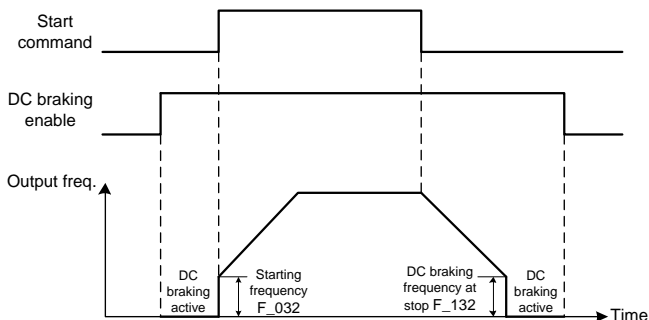
UP/DOWN command can adjust the frequency command, but the output frequency will not be reacted by the frequency command.

X1 and COM is short-circuit:

The output frequency will start acceleration or deceleration until reaching the frequency command.

ii. F_053: “DC braking enable (at stop)” by X2

1. The terminal is activated and the drive is at stop condition: DC braking enabled.
2. When the DC braking is activated, the output current is according to the setting of F_075 (DC Braking Level).
3. The DC braking command will be cleared and the motor runs to the setting frequency when the start or jog command enabled.
4. The output frequency is decreased to the setting value of F_132 (DC Braking Frequency at Stop) and DC braking enabled, when the start command or jog command is disabled.



iii. F_054: “Current limit enable” by X3

Monitor the current limit level percentage by F_133 (Current Limit Level)

Use KP-201C keypad:

a. X3 and COM is short-circuit:

Analog terminal sets the current limit level: **Enable**

When F_124 (Analog Input Selection (Vin)) or F_125 (Analog Input Selection (lin)) is set to 2, the user can set the current limit level from analog input terminal and monitoring the setting value at F_133 (range: 1~150%).

※The function is disable before stall occurring during acceleration and constant speed.

b. X3 and COM is open-circuit:

Analog terminal sets the current limit level: **Disable**

The setting value of current limit level is according to F_071(Stall Prevention Level at Constant Speed). (range: 30~200%)

Use KP-202 keypad:

a. X3 and COM is short-circuit:

The current limit enabled when the function of pot knob of KP-202 is defined as current limit. (range: 1~150%)

b. X3 and COM is open-circuit:

The current limit disabled.

EX: F_054=0; X3 and COM is short-circuit; F_124=2, F_125=1

(Input 0~10V to Vin terminal will corresponding to the setting of 1~150% of drive rated current)

Chapter 5 Parameter Setting Description

iv. F_055: "Selection of primary or secondary frequency command" by X4

a. X4 and COM is short-circuit:

The output frequency will switch to secondary frequency command.

F_122 (Secondary Frequency Command Selection):

- 0: Frequency command by analog signal via terminal.
- 1: Frequency command by keypad.
- 2: Frequency command by UP/DOWN terminal.

b. X4 and COM is open-circuit:

The output frequency command by primary frequency.

F_002 (Primary Frequency Command Selection):

- 0: Frequency command by analog signal via terminal.
- 1: Frequency command by keypad.
- 2: Motor speed (RPM) command by keypad.
- 3: Machine speed (MPM) command by keypad.
- 4: Frequency command by UP/DOWN terminal.

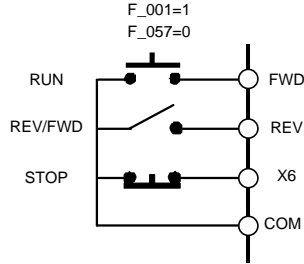
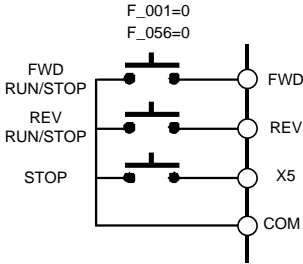
v. F_056: "Stop command with 3-wire start/stop circuit" by X5

N.O; contact a

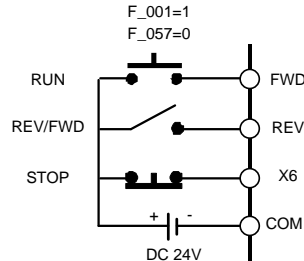
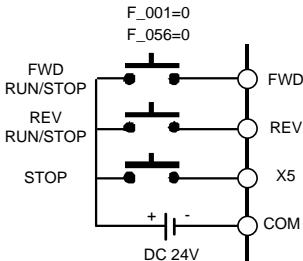
vi. F_057: "Stop command with 3-wire start/stop circuit" by X6

N.C; contact b

SINK (NPN) mode



SOURCE (PNP) mode



F_118	UP/DOWN Memory Selection
-------	--------------------------

0: Clear the UP/DOWN frequency command when power failure.

Drive will clear the UP/DOWN frequency command to 0.00Hz when the power failure.

1: Save the UP/DOWN frequency command when power failure.

Drive will save the UP/DOWN frequency command to F_121 (UP/DOWN Frequency Adjustment) when the power failure.

F_119	UP/DOWN Frequency Resolution
-------	------------------------------

Select the resolution of UP/DOWN frequency command.

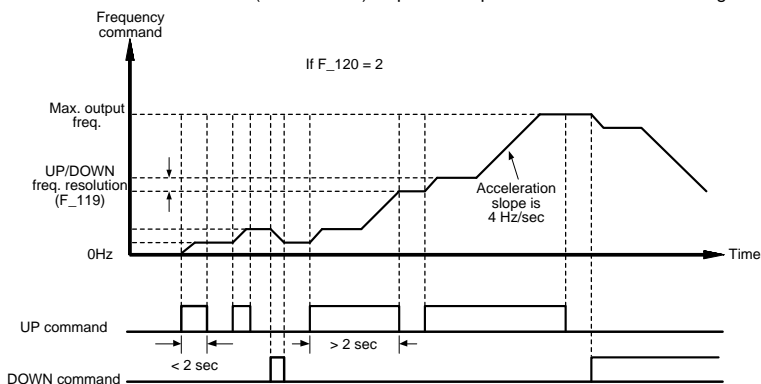
Setting value	Unit	Frequency command resolution
0	0.01Hz	Freq. command resolution = 0.01Hz
1~8	$\times 0.05\text{Hz}$	Freq. command resolution = Setting value \times Unit EX: Setting value = 8; The variance is $8 \times 0.05 = 0.4\text{Hz}$ by inputting UP/DOWN command per time.
9	0.5Hz	Freq. command resolution = 0.5Hz
10~250	$\times 0.1\text{Hz}$	Freq. command resolution = Setting value \times Unit EX: Setting value = 250; The variance is $250 \times 0.1 = 25\text{Hz}$ by inputting UP/DOWN command per time.

F_120	UP/DOWN Trigger Mode
-------	----------------------

1~5: Edge trigger or continuous accel./decel/ when the terminal is activated with the duration (1 ~ 5 unit:sec).

When the UP/DOWN command enabled and exceeding the setting value, the output frequency will accelerate(decelerate) to the upper(lower) limit output frequency until the UP/DOWN command disabled.

The acceleration (deceleration) slope is 4Hz per sec. Illustrate as below figure:



Chapter 5 Parameter Setting Description

6: Edge trigger.

UP/DOWN signal triggers the drive during the transition of the signal(0→1 or 1→0).

The signal response time is 30ms.

F_121	UP/DOWN Frequency Adjustment
-------	------------------------------

Directly use KP-201C keypad to input the UP/DOWN frequency command.

Enter the parameter setting mode of F_121 to adjust the frequency command. The drive will output the frequency according to the setting value.

The drive will save the setting value to F_121 after 5 sec when the frequency command is changed.

F_108	Digital Input Response Time
-------	-----------------------------

a. Setting the input response time of multi-function terminals (X1~X6, FWD and REV) (digital debouncing).

b. If the signal width of digital inputs is smaller than the digital input response time, the program of drive will reject the input signal and do no process to input signal.

J. Multi-Function Outputs Setup

F_058	Multi-function Output Terminal (Y1)
F_059	Multi-function Output Terminal (Y2)
F_060	Multi-function Output Terminal (Ta1,Tb1)
F_131	Multi-function Output Terminal (Ta2/Tc2)

a. Y1 and Y2 are open-collector output terminals.

The maximum output specification is below DC48V / 50mA.

b. Ta1, Ta2 (N.O) and Tb1 (N.C) are relay output terminals.

The maximum output specification is AC 250V / 0.5A, $\cos\theta=0.3$.

c. “+” represents positive logic (N.O; contact a)

“–” represents negative logic (N.C; contact b)

d. Y1, Y2, Ta1, Ta2, and Tb1 can be set as below functions:

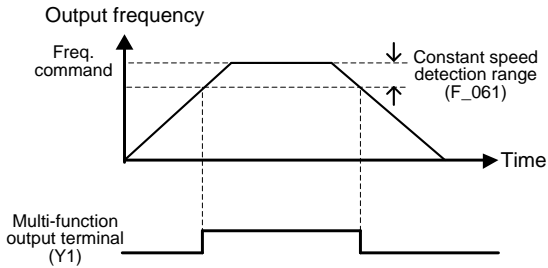
0: Disable (No function operated at terminals)

±1: Operation command detection. (Detection when start command is inputted)

±2: Constant speed detection.

Detection when drive runs at constant speed

Constant speed detection (F_058=2)

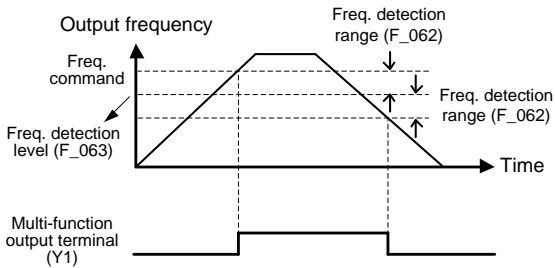


±3: Zero speed detection.

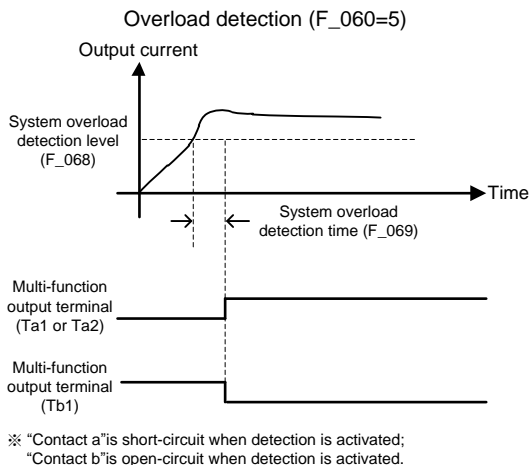
Detection when the drive at stop condition or the frequency command is less than the F_032 (Starting Frequency).

±4: Frequency detection

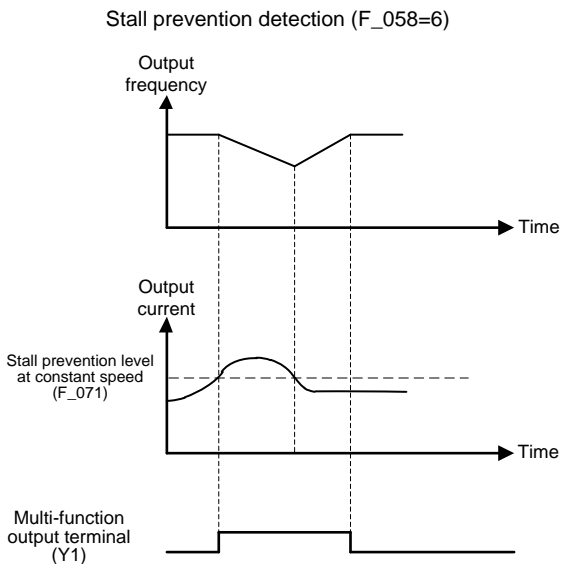
Frequency detection (F_059=4)



±5: Overload detection (OLO)

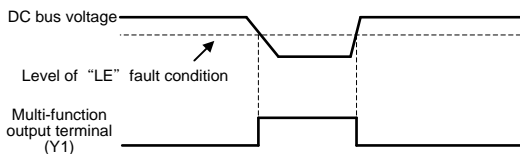


±6: Stall prevention detection



±7: Low voltage detection (LE)

Low voltage detection (F_058=7)



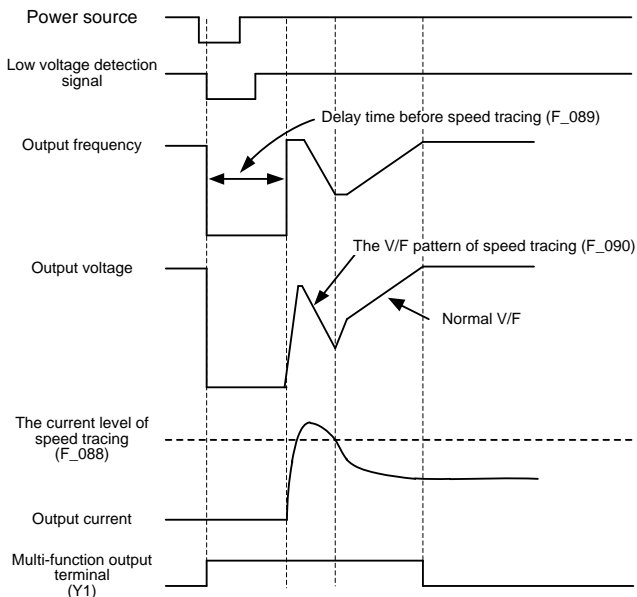
±8: Braking detection

Detection when the DC bus voltage is higher than dynamic brake voltage.

±9: Restart after instantaneous power failure detection

The parameter is activated when F_078 (Operation Selection at Instantaneous Power Failure) sets "1".

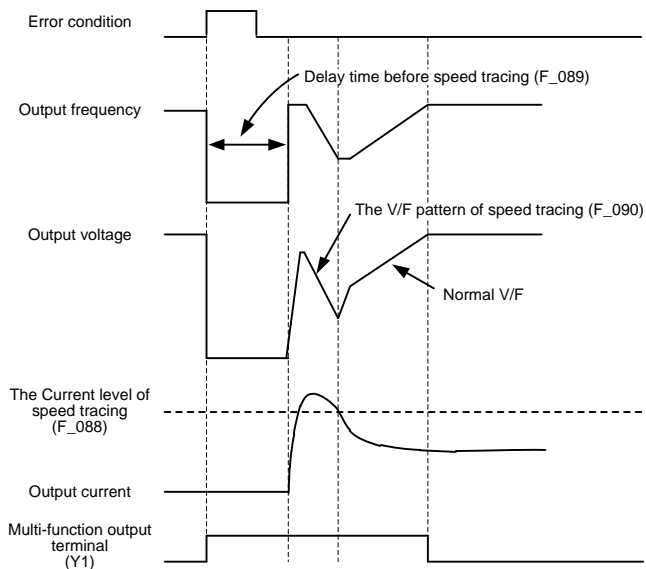
Restart after instantaneous power failure detection (F_058=9)



Chapter 5 Parameter Setting Description

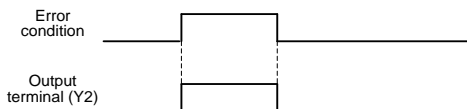
±10: Restart after error condition detection

Restart after error condition detection (F_058=10)



±11: Error detection

Error detection (F_059=11)



K. Frequency Detection

F_061	Constant Speed Detection Range
-------	--------------------------------

Refer to the “constant speed detection” for multi-function output terminal.
(refer to page 93)

F_062	Frequency Detection Range
-------	---------------------------

Refer to the “frequency detection” for multi-function output terminal.
(refer to page 93)

F_063	Frequency Detection Level
-------	---------------------------

Refer to “frequency detection” for multi-function output terminal.
(refer to page 93)

L. Automatic Torque Compensation

F_064	Automatic Torque Compensation Range
-------	-------------------------------------

- Dynamic compensation by voltage to avoid any insufficient voltage at heavy-duty load.
- The adjustment method is to minimize the output current by adjusting the parameter.
(maximum power factor).

M. Overload Detection Setup

F_065	System Overload Detection (OLO)
-------	---------------------------------

- 0: Disable
1: Enable

F_066	System Overload Detecting Selection
-------	-------------------------------------

- 0: During constant speed only.
1: During operation (acceleration, deceleration or constant speed.)

F_067	Output Setting after System Overload
-------	--------------------------------------

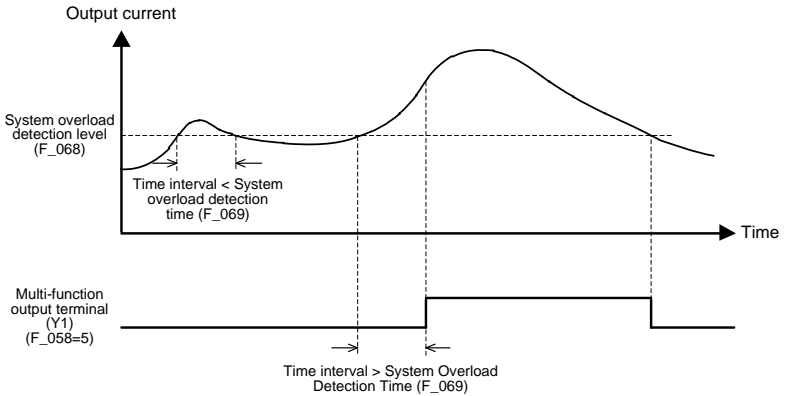
- 0: Drive keeps operation when the overload is detected.
1: Drive trips to protection when the overload is detected.

F_068	System Overload Detection Level
-------	---------------------------------

F_069	System Overload Detection Time
-------	--------------------------------

Chapter 5 Parameter Setting Description

a. System overload detection is shown as below figure:



- The system overload detection is activated when the output current exceeds the value of F_068 (System Overload Detection Level) with the time interval of F_069 (System Overload Detection Time) and the keypad will displayed `8.8.8 0.0.0`
- Detection during operation includes acceleration, deceleration or constant speed.
- The purpose of overload detection is to prevent the system damage. The detection level and time can be set by user requirements.

N. Stall Prevention Setup

F_070	Stall Prevention Level at Acceleration
F_071	Stall Prevention Level at Constant Speed

When the drive is RM5P series, the setting range is 30~160% of drive rated current.
 When the setting value is 160, the stall prevention disable.

F_072	Acceleration Time Setting after Stall Prevention under Constant Speed
-------	---

F_073	Deceleration Time Setting for Stall Prevention under Constant Speed
-------	---

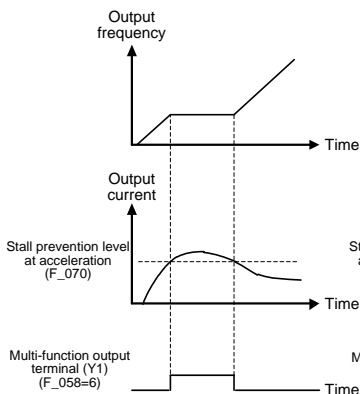
F_074	Stall Prevention Setting at Deceleration
-------	--

0: Disable

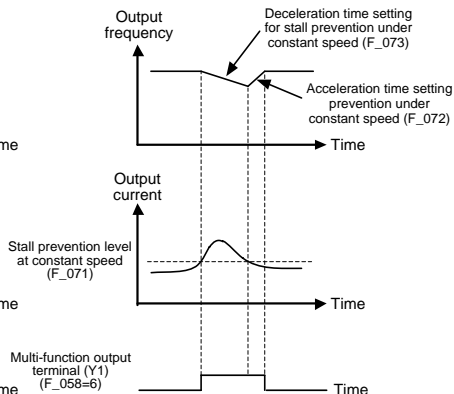
1: Enable

a. The description is as shown in a figure below:

Stall prevention level at acceleration



Stall prevention level at constant speed



- b. When enabling the F_074 (Stall Prevention Setting at Deceleration) and the stall occurs at deceleration, drive will operation at constant speed.
- c. According to the actual requirement to disable the F_074 (Stall Prevention Setting at Deceleration), when connecting a dynamic brake unit.
- d. If the DC bus voltage of drive is higher than the dynamic brake voltage level during stop, the KP-201C keypad will display "8888.88" and the drive cannot be start by pressing key. If the DC bus voltage is less than the dynamic brake voltage level, the drive will automatically recover to normal and displaying the main display.

O. DC Braking Setup

F_075	DC Braking Level
-------	------------------

The current level setting of DC braking.

F_076	Time of DC Braking after Stop
-------	-------------------------------

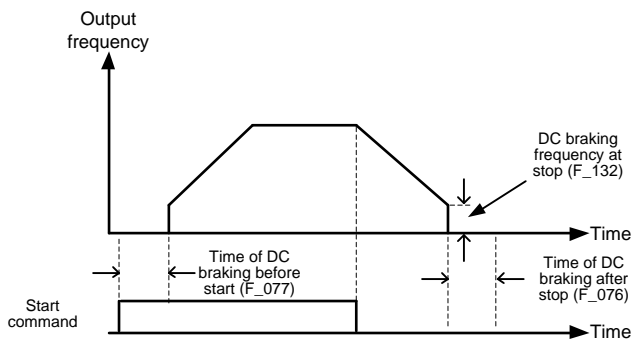
F_077	Time of DC Braking before Start
-------	---------------------------------

F_132	DC Braking Frequency at Stop
-------	------------------------------

a. DC braking after stop is to prevent the motor from coasting.

b. DC braking before start is to prevent the motor from rotation due to external force at start.

DC Braking



- ※ If the frequency command is set below F_032 (Starting Frequency) during operation and the output frequency is below the starting frequency, the DC braking will be activated. The setting value of F_132 is disable at the moment.

P. Drive Status after Power Failure

F_078	Operation Selection at Instantaneous Power Failure
-------	--

Restart selection after drive instantaneous power failure.

0: Drive cannot be restarted

1: Drive can be restarted

(Refer to the parameter description “Restart after instantaneous power failure detection” of multi-function output setting.)

- ※ Drive cannot be restarted with generator simultaneously when the generator is instantaneous power failure. Please restart the drive after the generator is restarted.

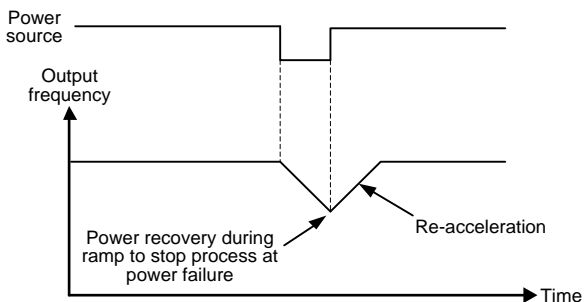
Disposal after power failure.

2: Ramp to stop

3: Drive will re-accelerate again during ramp to stop interval, when the power is restored.

(Refer to the parameter description of F_079, F_103 ~ F_106.)

Re-acceleration after power recovery when the drive during ramp to stop process at power failure condition



F_079	Voltage Level of Ramp to Stop by Power Failure
-------	--

Set the voltage of power source for ramp to stop.

200V series: 150.0~192.0V

400V series: 300.0~384.0V

F_103	Subtracted Frequency of Deceleration at Power Failure
-------	---

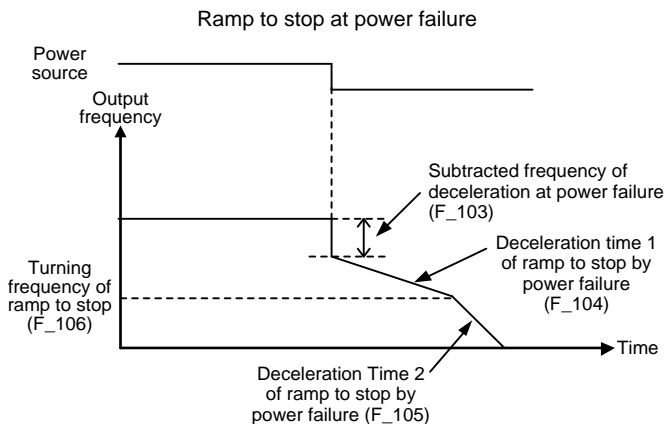
When the power failure, drive will reduce the frequency level before ramp to stop.

Output frequency(after) = Output frequency(before) – Subtracted Frequency.

Chapter 5 Parameter Setting Description

F_104	Deceleration Time 1 of Ramp to Stop by Power Failure
F_105	Deceleration Time 2 of Ramp to Stop by Power Failure
F_106	Turning Frequency of Ramp to Stop

Set the turning frequency level of ramp to stop when the deceleration time is switched from F_104 setting value to F_105 setting value.



※ The ramp to stop at power failure function is suitable for the inertia load.

CAUTION

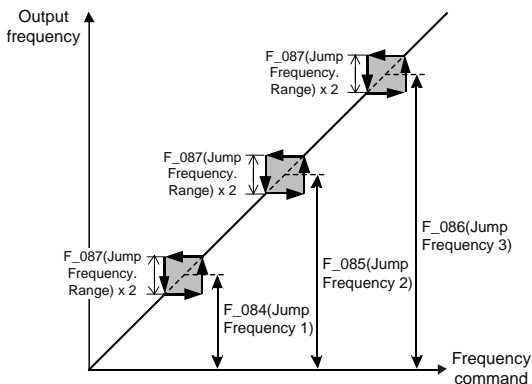
At the function F_078=1 or 3, the drive will automatically restart when the power is restored. Stay away from the motor and machine.

Q. Jump Frequency

F_084	Jump Frequency 1
F_085	Jump Frequency 2
F_086	Jump Frequency 3
F_087	Jump Frequency Range

a. In order to avoid the mechanical resonance, these parameters allow resonant frequency to be jumped.

b. There are three jump frequencies and one jump frequency interval.



R. Speed Tracing

F_088	The Current Level of Speed Tracing
F_089	Delay Time before Speed Tracing
F_090	The V/F Pattern of Speed Tracing

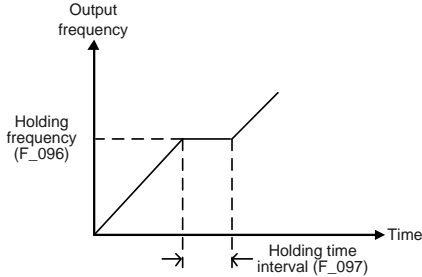
a. The main application of speed tracing function is used for the speed tracing for the restart after instantaneous power failure, fault restart or the speed tracing command by the multi-function input terminal.

b. Refer to speed tracing for multi-function input terminals.

S. Holding Frequency and Time Interval

F_096	Holding Frequency
F_097	Holding Time Interval

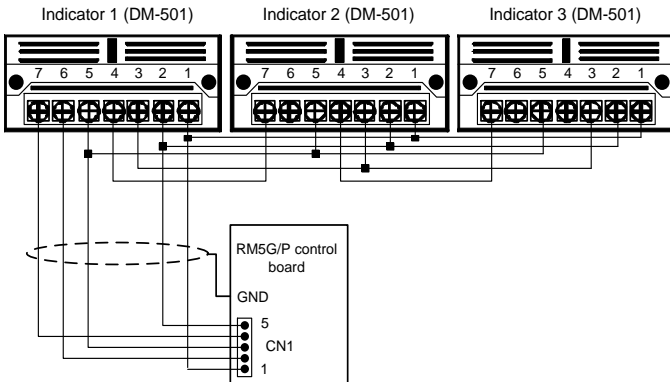
※ The main purpose of "holding" is to prevent the over slip of motor causing over-current and stall during acceleration.



T. External Indicators

F_099	External Indicator 1
F_100	External Indicator 2
F_101	External Indicator 3

- F_099 ~ F_101 can be set according to the setting method of F_006.
- Please select twisted-pair shield wiring and shielding connected to the GND terminal of drive's control board.
- The wiring diagram of external indicators is shown as below:



- The position of connector (CN1), please refer to page 35, 36.

U. Other Functions

F_080	Auto-restart Times Setting of Error Trip
F_081	Switching Frequency

When the value of F_081 is set to "0", the switching frequency of PWM voltage will be 800Hz and others switching frequency = $F_{081} \times 2.5\text{kHz}$.

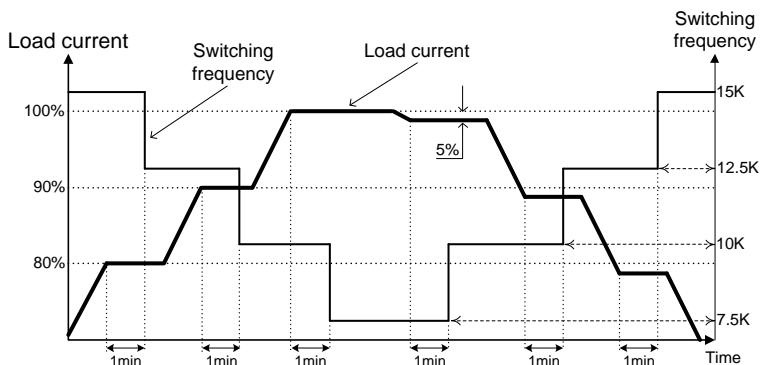
The higher switching frequency has less noise. But using higher switching frequency must consider the cable length between drive and motor and must be adjusted according the connection distance between drive and motor. (Refer to the 2-3-6)

※Upper limit of switching frequency

RM5G series: 1/2HP~75HP → 15kHz
 Above 100HP → 10kHz

RM5P series: 10HP~30HP → 15kHz
 40HP~100HP → 10kHz
 Above 125HP → 7.5kHz

※ Switching frequency will be modulated with load automatically.

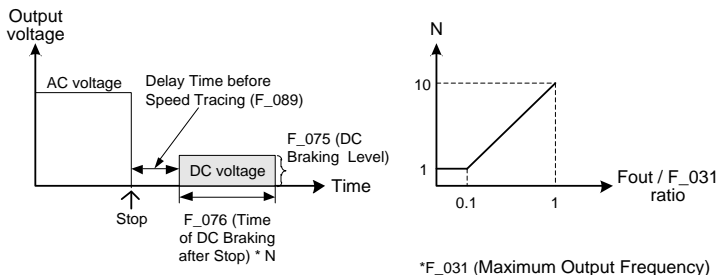


Chapter 5 Parameter Setting Description

F_082 Stop Mode

- 0: Ramp to stop
- 1: Coast to stop
- 2: Coast to stop + DC braking

When the value of F_082 is set to "2", the operation characteristic is shown as below figure:



When the output current of drive is abnormal at DC braking, appropriately increase the setting value of F_089 (Delay Time before Speed Tracing).

F_083 Reverse Prohibition

- 0: Reverse rotation allowed
- 1: Reverse rotation NOT allowed

F_091 Error Record

Display the latest 5 records of errors. Pressing the or key can display other error records. (1: the latest error)

F_092 Parameter Setting Lock

- 0: Parameters are changeable. Maximum frequency cannot exceed 120.0Hz.
- 1: Parameters are locked. Maximum frequency cannot exceed 120.0Hz.
- 2: Parameters are changeable. Maximum frequency can exceed 120.0Hz.
- 3: Parameters are locked. Maximum frequency can exceed 120.0Hz.

F_093 Automatic Voltage Regulation (AVR)

- 0: Disable
- 1: Enable

F_094	Drive Overload (OL1)
-------	----------------------

Prevent the drive damage due to overload.

0: Disable.

1: Thermal protection.

Drive trips to stop when the output current is over 150%(RM5P series: 120%) of drive rated current for 1 min.(inverse time curve protection)

2: Current limit overload protection.

When the output current exceeds 200%, drive will limit the current to 200% and counting the times for tripping.

3: Both 1 and 2 enable.

F_095	Power Source
-------	--------------

The setting value according to the actual power source voltage.

200V series setting range: 190.0 ~ 240.0V;

400V series setting range: 340.0 ~ 480.0V.

a. When the drive is power ON for first time and the power source voltage is lower than the 90% of F_095 setting value, the drive will display "LE" warning message.

b. After the power ON for drive, the drive displays "LE" message when the power source is lower than the 70% of F_095 setting value.

F_098	Grounding Fault Protection (GF)
-------	---------------------------------

0: Disable

1: Enable

F_102	V/F Pattern Selection
-------	-----------------------

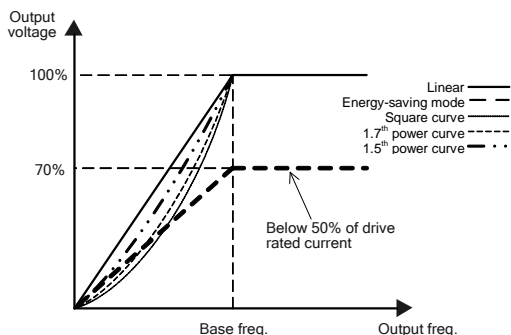
0: Linear.

1: Energy-saving mode (auto-adjust V/F pattern according to the load condition.)

2: Square curve.

3: 1.7th power curve.

4: 1.5th power curve.



※ When the drive is used for fan or light-duty load applications, this function can be set to achieve the energy-saving purpose.

Chapter 5 Parameter Setting Description

V. Function Selection of KP-202 Keypad

F_110	ADJ4 Function Selection
F_111	ADJ5 Function Selection
F_112	ADJ6 Function Selection
F_113	DIP1 Function Selection
F_114	DIP2 Function Selection
F_115	DIP3 Function Selection
F_116	DIP4 Function Selection
F_117	Pot Knob of KP-202 keypad Function Selection

a. The function of ADJ4 ~ ADJ6, DIP1 ~ DIP4 switches and Pot Knob of KP-202 keypad can be defined. User can connect the KP-201C keypad to drive to change the setting value of F_110 ~ F_117 to redefine the functions of above switches of KP-202 keypad.

b. The setting value 0 ~ 49 for F_110 ~ F_112 and F_117 functions represent certain item, respectively. Shown as below table:

Setting value	Setting item	ADJ range	Setting value	Setting item	ADJ range
0	Primary Speed	0.0~120.0	14	Deceleration Time of Preset Speed 2	0.0~165.0
1	Preset Speed 1	0.0~120.0	15	Acceleration Time of Preset Speed 3	0.0~165.0
2	Preset Speed 2	0.0~120.0	16	Deceleration Time of Preset Speed 3	0.0~165.0
3	Preset Speed 3	0.0~120.0	17	Secondary Acceleration and Deceleration Time	0.0~165.0
4	Preset Speed 4	0.0~120.0	18	Starting Frequency	0.1~10.0
5	Preset Speed 5	0.0~120.0	19	Starting Voltage	0.0~127.5
6	Preset Speed 6	0.0~120.0	20	Maximum Output Frequency	0.0~120.0
7	Preset Speed 7	0.0~120.0	21	Base Voltage	0.0~255.0 (220V series) 0.0~510.0 (400V series)
8	Jog Speed	0.0~120.0	22	V/F Frequency 1	0.0~F_034
9	Primary Acceleration Time	0.0~165.0	23	V/F Voltage 1	0.0~F_035
10	Primary Deceleration Time	0.0~165.0	24	V/F Frequency 2	0.0~F_034
11	Acceleration Time of Preset Speed 1	0.0~165.0	25	V/F Voltage 2	0.0~F_035
12	Deceleration Time of Preset Speed 1	0.0~165.0	26	Vin Gain	0.00~2.00
13	Acceleration Time of Preset Speed 2	0.0~165.0	27	Vin Bias	-1.00~1.00

Chapter 5 Parameter Setting Description

Setting value	Setting item	ADJ range	Setting value	Setting item	ADJ range
28	Frequency Upper Limit	0.00~1.00	39	DC Braking Level	0~150
29	Frequency Lower Limit	0.00~1.00	40	Jump Frequency 1	0.0~F_031
30	Analog Output Gain (FM+)	0.00~2.00	41	Jump Frequency 2	0.0~F_031
31	Motor Slip Compensation	-9.9~10.0	42	Jump Frequency 3	0.0~F_031
32	Frequency Detection Level	0.0~F_031	43	Jump Frequency Range	0.0~25.5
33	Automatic Torque Compensation Range	0.0~25.5	44	Holding Frequency	0.0~F_031
34	System Overload Detection Level	30~200	45	Holding Time Interval	0.0~25.5
35	Stall Prevention Level at Acceleration	30~200	46	Machine Speed Ratio	0.01~100.00
36	Stall Prevention Level at Constant Speed	1~150	47	lin Gain (Analog Input)	0.00~2.00
37	Acceleration Time Setting after Stall Prevention under Constant Speed	0.0~165.0	48	lin Bias (Analog Input)	-1.00~1.00
38	Deceleration Time Setting for Stall Prevention under Constant Speed	0.0~165.0	49	Analog Output Gain (AM+)	0.00~2.00

c. The setting value 0~15 for F_113~ F_116 represent certain item, respectively. Shown as below table.

Setting value	DIP function description		Setting value	DIP function description	
0	Disable		8	ON:	Switching freq. is 2.5kHz
				OFF:	Switching freq. is set by KP-201C keypad
1	ON:	Start command by FWD or REV terminal	9	ON:	Restart after instantaneous power failure
	OFF:	Start command by KP-202 "RUN" key		OFF:	Restart after instantaneous power failure is set by KP-201C keypad
2	ON:	Start command by FWD terminal	10	ON:	Coast to stop
	OFF:	Start command by KP-202 "RUN" key		OFF:	The stop method is set by KP-201C keypad
3	ON:	Frequency command by analog input terminal	11	ON:	Reverse prohibition
	OFF:	Frequency command by KP-201C or KP-202 keypad (Note)		OFF:	Reverse selection is set by KP-201C keypad
4	ON:	"STOP/RESET" key disable	12	ON:	AVR disable
	OFF:	"STOP/RESET" key is set by KP-201C		OFF:	AVR is set by KP-201C keypad

Chapter 5 Parameter Setting Description

5	ON:	Base frequency is 50.00 Hz	13	ON:	Motor overload protection disable
	OFF:	Base frequency is 60.00 Hz		OFF:	Motor overload protection is set by KP-201C keypad
6	ON:	Stall prevention at deceleration disable	14	ON:	Drive overload protection disable
	OFF:	Stall prevention is set by KP-201C keypad		OFF:	Drive overload protection is set by KP-201C keypad
7	ON:	No DC braking	15	ON:	Energy-saving mode disable
	OFF:	DC braking at stop		OFF:	Energy-saving mode is set by KP-201C keypad

Note:

If F_110 ~ F_112 and F_117 are all not set to 0, the frequency command will be controlled by the primary speed setting value via KP-201C keypad.

If one of F_110 ~ F_112 and F_117 is set to 0, the frequency command will be controlled by one of ADJ4 ~ ADJ6 switches and pot knob of KP-202 keypad.

No Text on This Page


Chapter 6 Operation Procedures and Fault Protection

6-1 Operation Procedures

DANGER

1. Do Not remove wires when the internal indicator of the drive remains ON.
2. After power off (30HP below models must wait at least 5 minutes; 40HP~75HP models must wait at least 10 minutes; 100HP above models must wait at least 20 minutes), Do Not perform any unwiring actions before drive indicator light (CHARGE) turns off. Use a multimeter with the DC voltage stage to measure the cross voltage between P(+) and N(-) ports (DC bus voltage must be less than 25V).

CAUTION

1. Check if the shield of wire is broken after wiring is completed to avoid electric leakage or short circuit.
 2. Screws on the terminal must be fastened.
- A. Verify and check the compatibility between power source, voltage, motor, and drive.
- B. Connect the power to drive R/L1, S/L2, T/L3 (three-phases) or R/L1, S/L2 terminals (single-phase).
- C. Set all required parameters and functions after power is ON and measure the output voltage of the drive at U/T1, V/T2, W/T3 terminals to check the output voltage with the required value. Press  when completing all verifications.
- D. Switch off the power and wait for drive's power indicators off, and then connect drive's U/T1, V/T2, W/T3 terminals to the motor.
- E. Operate the motor with the drive by low speed after power ON to verify the validity of the motor rotation direction and then to slowly increase the motor speed.
- F. Motor start or stop must be controlled by drive control signal instead of switching the power ON / OFF. The lifetime of the drive will be significantly reduced if the invalid operation using the switch control of the power is applied to motor control.
- G. Because the starting current of motor is 6~8 times of rated current, Do NOT install the magnetic contactor between the drive and motor for the motor operation.
- H. When using the single-phase power source to drive the three-phase series drive (not the standard type of single-phase power input), first confirm the horsepower of motor, and then calculate the motor rated current by multiplying the motor rated current by 2 times to the **base value of drive rated current**. Selecting single-phase power source to drive three-phase series drive, the rated current of drive must be equal to the base value of drive current at least.

Formula: Motor rated current $\times 2 =$ Drive rated output current

Example:

a. Drive selection:

Motor specification: 220Vac, 1HP ; Rated current: 3.1A

Base value of drive rated current = $3.1 \text{ (A)} \times 2 \text{ times} = 6.2 \text{ (A)}$

Drive specifications: 220Vac, 1HP drive = 5A (rated output current)
2HP drive = 8A (rated output current)

⇒ Select 2HP drive for 1HP AC motor.

b. Connect the single-phase power line to R/L1, S/L2 terminals.

c. Parameter settings:

Please reset below functions. If the parameters are not modified, the motor and drive could be possibly damaged.

F_048 Motor Rated Current = 3.1A

(the setting must be based on the motor rated current)

F_068 System Overload Detection Level = 80

(the half of the default setting value 160%)


F_071 Stall Prevention Level at Constant Speed = 80

(the half of the default setting value 160%)

Chapter 6 Operation Procedures and Fault Protection





6-2 Fault Protection Display and Troubleshooting

a: Description:




The drive has well protection functions to protect drive and motor when faults occur. When the fault occurs, the drive trips by the protection functions and display fault message on keypad. After the fault is troubleshooting, reset the drive by pressing  of keypad or commanding the drive to reset through multi-function input terminals by external reset signal

b: Protection and Troubleshooting List:

Error Trip Messages of Drive





Display	Description	Cause	Troubleshooting
<p>(EEr)</p> 	<p>EEPROM error</p>	<ul style="list-style-type: none"> •EEPROM data write fault. •EEPROM component defected. 	<ul style="list-style-type: none"> •Please restore the parameter to the default values and reset the drive. •Return the drive to repair, when the fault cannot be eliminated.
<p>(AdEr)</p> 	<p>A/D converter error</p>	<p>---</p>	<p>Please call customer service for drive repair.</p>
<p>(SC)</p> 	<p>Fuse open</p>	<ul style="list-style-type: none"> •Drive internal fuse open. •IGBT power module damage. 	<p>Please call customer service for drive repair.</p>
<p>(LE1)</p> 	<p>Under voltage during operation</p> <p>The internal DC bus voltage level is below 70%.</p>	<ul style="list-style-type: none"> •Phase failure of input power. •Instantaneous power off. •Voltage variation of power source is too high. •The equipment instantaneous overload causing the high voltage drop at power source. 	<p>Increase the power capacity.</p>

Error Trip Messages of Drive



Display	Description	Cause	Troubleshooting
<p>(OC)</p> 	<p>Drive over current</p> <p>The output current of drive during operation exceeds 220% of drive's rated current.</p>	<ul style="list-style-type: none"> ●The output terminals of drive are short. ●The load is too heavy. ●The acceleration time is too short. ●Drive starts running from zero speed when the motor is under rotation condition. ●Wrong wiring or improper insulation value of motor. ●Starting voltage is too high. ●Power factor leading capacitor or filtering capacitor is connected on motor terminal. 	<ul style="list-style-type: none"> ●Check wires of U/T1,V/T2,W/T3 terminals to verify if there is short between terminals. ●Check the motor and drive compatibility. ●Check if the motor operated in over-rated condition. ●Check the setting of acceleration time.
<p>(GF)</p> 	<p>Grounding fault</p> <ul style="list-style-type: none"> ●The output terminal of drive is grounding and the grounding current exceeds the 70% of drive's rated current. ●Grounding fault protection: F_098 	<p>The insulation value of motor or motor's wire is improper.</p>	<p>Check the insulation value of motor and the shield of motor's wire.</p>
<p>(OE)</p> 	<p>Over voltage</p> <ul style="list-style-type: none"> ●The internal DC bus voltage of drive is over the protection level. ●100V / 200V series: About DC410V. ●400V series: About DC820V. 	<ul style="list-style-type: none"> ●The deceleration time of motor is too short causing the regeneration on DC bus voltage too high. ●Power source voltage is too high. ●Surge voltage conduct in drive's input power side. 	<ul style="list-style-type: none"> ●Increase the value of "deceleration time". ●Add dynamic brake unit. ●Check if the input power is within drive's rated input range. ●Add AC relactor at power input site.

Chapter 6 Operation Procedures and Fault Protection

Error Trip Messages of Drive









Display	Description	Cause	Troubleshooting
<p>(OH)</p> 	<p>Drive overheating</p> <p>The temperature of drive's heat sink reaches the trip point.</p>	<ul style="list-style-type: none"> •The surrounding temperature is too high. •The heat sink has foreign body. •The cooling fan of drive is fault. 	<ul style="list-style-type: none"> •Improve the ventilation system. •Clean the foreign body on the heat sink. •Return the drive to replace the cooling fan.
<p>(OL)</p> 	<p>Motor overload</p> <p>Operation current exceeds 150% of motor's rated current and reaching the motor overload protection time.</p>	<ul style="list-style-type: none"> •Motor is overloaded. •The setting of V/F pattern is not according to the characteristic of motor. •The current setting of motor's rated current is invalid. 	<ul style="list-style-type: none"> •Check the load of motor. •Check if the acceleration or deceleration time is too short. •Check if V/F setting is proper. •Check if the rated current setting is valid.
<p>(OL1)</p> 	<p>Drive overload</p> <p>RM5G: Operation current exceeds 150% of drive's rated current for 1 minute.</p> <p>RM5P: Operation current exceeds 120% of drive's rated current for 1 minute.</p>	<ul style="list-style-type: none"> •Motor overload. •The voltage setting of V/F pattern is too high or too low. •Drive capacity is too small. 	<ul style="list-style-type: none"> •Check the load of motor if overload. •Check if the acceleration time is too short. •Check if V/F setting is proper. •Select the higher capacity of drive.
<p>(OLO)</p> 	<p>System overload</p> <ul style="list-style-type: none"> •Load system is overload and the operation current reaches the active level. •Detection level: F_068. •Detection time: F_069. 	<p>— — —</p>	<ul style="list-style-type: none"> •Check the usage of mechanical equipment. •Check the setting value of F_065 ~ F_069.

Error Trip Messages of Drive

Display	Description	Cause	Troubleshooting
<p>(thr)</p>  <p>The keypad display shows 'E' and 'FF' with the 'KEYPAD' indicator lit. Below the display are three indicators: 'Hz', 'V', and 'A'.</p>	<p>External fault</p>	<p>The multi-function terminal receives the external fault signal.</p>	<p>Clear the external fault command and then pressing "STOP RESET" key.</p>
<p>(PAdF)</p>  <p>The keypad display shows 'PAdF' with the 'KEYPAD' indicator lit. Below the display are three indicators: 'Hz', 'V', and 'A'.</p>	<p>KP-202 keypad is disconnecting (under operation condition) or KP-201C keypad is disconnecting during parameters copy.</p>	<ul style="list-style-type: none"> •The connecting wire of the keypad is loosen. •The keypad jack of the drive is oxidized. 	<p>Check the connecting wire of keypad.</p>

Warning Messages of Drive

*When the drive displays below messages, drive stops output. If the abnormal condition is removed, the drive auto-recovering to normal.

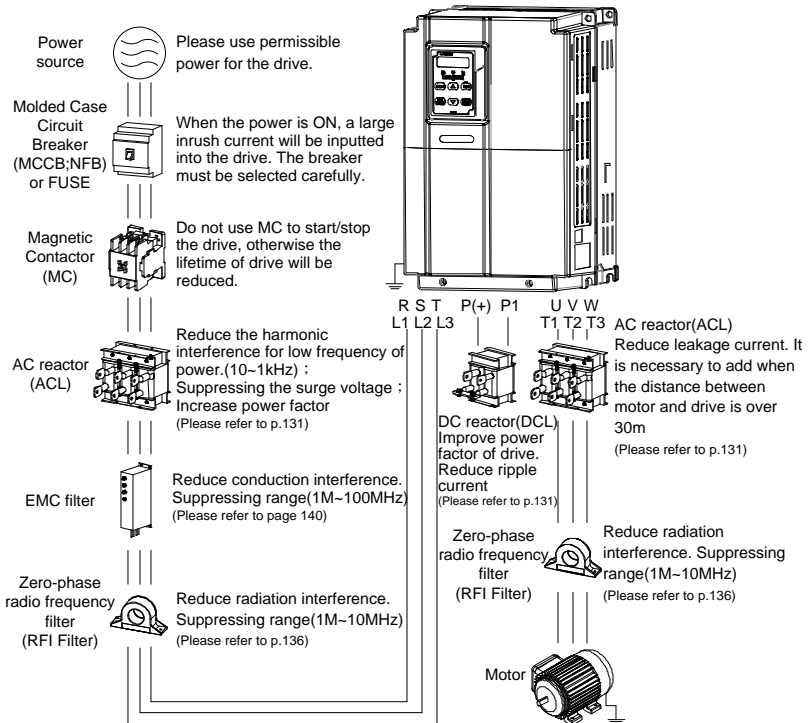
Display	Description	Cause	Troubleshooting
<p>(LE)</p> 	<p>Power source under voltage</p> <p>The internal DC bus voltage level is below 70%.</p>	The voltage of power source is too low.	Check if the voltage of power source is valid.
<p>(bb)</p> 	<p>Drive output interruption</p>	Drive stops the output when the output interruption command is activated.	Clear drive output interruption command.
<p>(Fr)</p> 	<p>Coast to stop</p>	Drive stops the output when the coast to stop command is activated.	Clear "coast to stop" command.
<p>(db)</p> 	<p>Over voltage at stop</p> <p>The internal DC bus voltage of drive is over the protection level.</p>	DC bus voltage is too high.	Increase the "deceleration time" or use high torque braking method and add dynamic brake unit.
<p>(Err_00)</p>  <p>(Err_01)</p> 	<p>Err_00: Keypad cable trip. (before connecting)</p> <p>Err_01: Keypad cable trip. (connected)</p>	<ul style="list-style-type: none"> •The connecting wire of the keypad is loosen. •The keypad jack of the drive is oxidized. 	Check the wire between the keypad and drive.
<p>(dtF)</p> 	<p>Direction command error</p>	Forward and reverse commands are inputted to the drive simultaneously	Check the direction command.
<p>(Wr_F)</p> 	<p>Different software version inter-copy</p>	The software version of drives are different.	Check up the software version.

No Text on This Page

Appendix A Peripheral Equipment of Drive

⚠ CAUTION

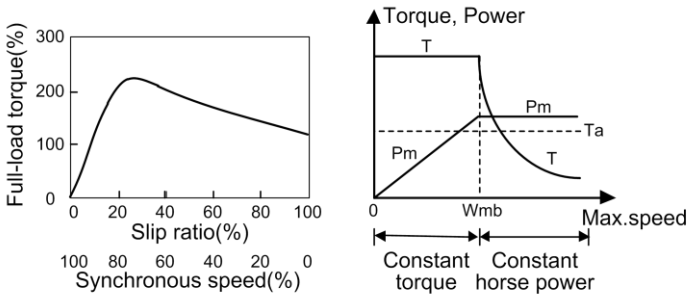
1. When the drive requires the following equipment, please select the proper external equipment. The incorrect setup will result the failure of drive, reducing drive's life, and even damage the drive.
2. The surrounding temperature of drive will influence drive's life. Please monitor the surrounding temperature of drive to avoid the temperature exceeding the permitting specifications when the drive is installed in closed place. In addition, the control signal should be far away from the wiring of main circuit to avoid the signal interference.
3. To prevent the engineer from electric shocks, please do the grounding well of motor and drive. Motor's grounding must connect to drive's grounding terminal.



Appendix B Motor Selection and Insulation Measurement

a. Standard Motor

1. Must be used the 3-phase induction motor as load.
2. The speed of cooling fan will decrease when the motor is operated at low speed. Do Not operate the motor at low speed for a long time to prevent the temperature of motor from overheating. For the low speed with long time operation condition, please selecting the motor with independent cooling fan.
3. Standard three-phase induction motor (NEMA B) characteristics as follows:



4. When the motor speed exceeds the rated speed (50/60Hz), the torque will be decreased while the motor speed increasing.
5. Check the motor insulation. The standard requirement is 500V (or 1000V) / 100MΩ above for new motor.

b. Special Motors

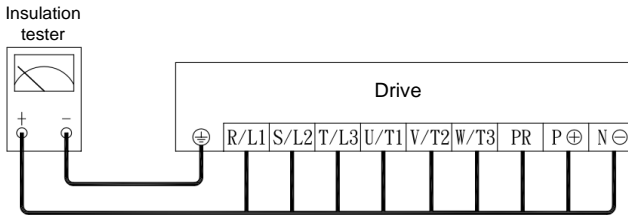
- a. Synchronous Motor: The higher starting current than the standard motor; lower V/F; the larger drive capacity required.
- b. Submersible Motor: The higher rated current than standard motor; Caution the setting of V/F pattern, the minimum speed limit (approximately 30Hz), and the insulation quality. During the installation, be caution of the insulation resistance for motor (including wiring). Add ACL to drive's output terminal.
- c. Explosion-proof Motor: Drive does not have the explosion-proof mechanism. Be attentive to installation safety.

Appendix B Motor Selection and Insulation Measurement

c. Insulation Measurement of Drive and Motor

1. Measure the drive insulation impedance

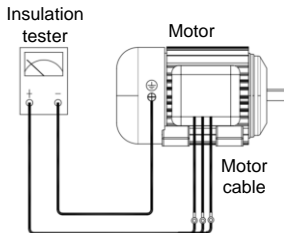
- 1.) Please be extremely caution to following steps to test the main circuit insulation of drive. Any incaution operations while testing the drive insulation may possibly harm operating personnel and cause serious damages to drive.
- 2.) Remove all wiring at main circuit terminal and control circuit terminal before the testing is performed. Please follow the below diagram to wire all power terminals in parallel with an insulation tester for drive insulation test.
- 3.) Using an insulation tester with DC500V to test the insulation value of drive. The drive insulation impedance must be greater than $20M\Omega$. If drive insulation impedance is below $20M\Omega$, replace a drive and contact the customer support for repair service of drive.



Drive Insulation Impedance Measurement

2. Measure the motor insulation impedance

- a. Remove the cables of motor from U/T1, V/T2, W/T3 terminals of drive before measuring the motor insulation impedance, and then measure the motor insulation impedance (including motor cables) using the insulation tester with DC500V. The motor insulation impedance (including motor cables) must be greater than $20M\Omega$ when connecting to the drive.
- b. If motor insulation impedance is less than $20M\Omega$, Do Not connect motor with a drive or the drive lifetime may be shorten or the drive may be possibly damaged due to insufficient motor insulation.
- c. Please follow the below connection diagram for motor insulation test. Motor cables must be connected in parallel to the insulation tester with DC500V to test the insulation, and the motor insulation impedance must be greater than $20M\Omega$ to connect the drive.



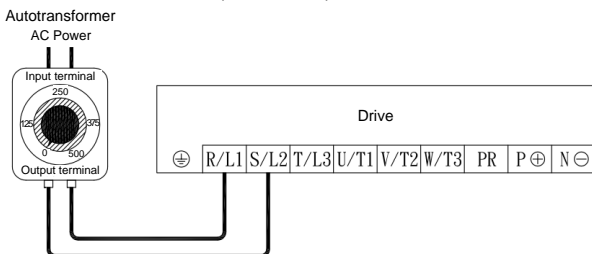
Motor Insulation Impedance Measurement (including motor cables)

Appendix C Instruction of Drive Charging

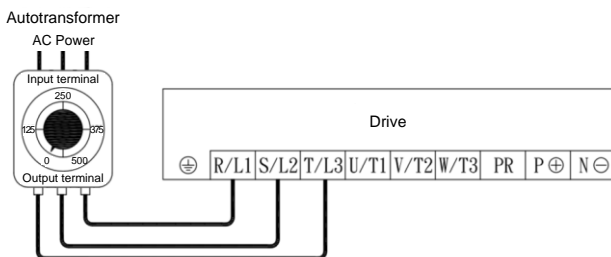
⚠ CAUTION

If the drive is unused or stored for a long time, the surface of aluminum foil of electrolytic capacitor within the drive will be cracked causing the L and C value up. This is the common characteristics of capacitor. Therefore, with directly applying the voltage and large transient current to drive after the drive is placed for a long time, the drive may be damaged due to the oxide foil cracked.

- a. If the drive is stored or non-used (no power ON) over 1 year, it is necessary to charge the drive by autotransformer from zero volt to the half of drive's rated voltage for 30 minutes and then to apply drive's rated voltage to charge the drive for another 30 minutes.
- b. When charging the internal capacitor of drive, the connection between autotransformer and terminals (R/L1, S/L2) of drive are shown as below:



Connection diagram between autotransformer and drive
(single-phase series drive)



Connection diagram between autotransformer and drive
(three-phase series drive)

Note: If the drive is already applied with drive rated voltage but doesn't display , on the display of the keypad, please contact the customer service for repair service.

Appendix D Dynamic Brake Unit and Braking Resistor

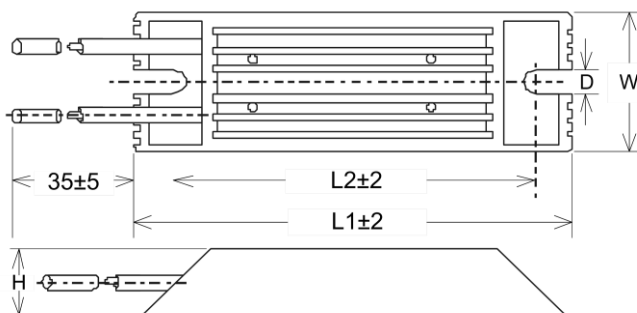
a. Braking transistor is installed in the following models

Standard built-in models: RM5G-2001/2 ~ 2015 ; RM5G-4001 ~ 4020

Option models: RM5G-2020B ~ 2075B ; RM5G-4025B ~ 4125B

b. Outline of braking resistor (option)

Aluminum Case Resistor



c. Rated specification of braking resistor

Model number	Specification	Dimensions (mm)					Max. weight (g)
		L1	L2	W	H	D	
MHL100-100	100W/100Ω	165	150	40	20	5.3	200
MHL100-400	100W/400Ω	165	150	40	20	5.3	200
MHL500-40	500W/40Ω	335	320	60	20	5.3	1100

※Notes:

1. When the braking is frequently applied, please increase the resistor wattage and add the cooling fan to prevent the resistor from overheating.
2. Aluminum case resistors have the better thermal performance. Please select 1.2 times rated power resistor by using general wirewound type resistor.
3. Please use the heat-resistant wire for the brake resistor wiring.

DANGER

When the dynamic brake unit is fault, the braking transistor maybe turn on for full cycle. Add the thermal protection device to cut off the power at high temperature to avoid the drive burnout (refer to the section f of "Appendix D Dynamic Brake Unit and Braking Resistor").

Appendix D Dynamic Brake Unit and Braking Resistor

d. Recommending specification of braking resistor

AC 200V Series

Model number of drive	Braking resistor specification		Approximate braking torque (10%ED)
	Minimum specification	Recommending combination	
RM5G-2001/2	100Ω/100W	MHL100-100*1	240
RM5G-2001			140
RM5G-2002			75
RM5G-2003	40Ω/500W	MHL500-40*1	160
RM5G-2005			105
RM5G-2007	20Ω/1000W	MHL500-40*2 (2pcs in parallel)	140
RM5G-2010			110
RM5G-2015	13.3Ω/1500W	MHL500-40*3 (3pcs in parallel)	115
RM5G-2020B	10Ω/2000W	MHL500-40*4 (4pcs in parallel)	120
RM5G-2025B	8Ω/2500W	MHL500-40*5 (5pcs in parallel)	120
RM5G-2030B	6.6Ω/3000W	MHL500-40*6 (6pcs in parallel)	120
RM5G-2040B	3.3Ω/6000W	MHL500-40*12 (12pcs in parallel)	190
RM5G-2050B	2.5Ω/8000W	MHL500-40*16 (16pcs in parallel)	200
RM5G-2060B			165
RM5G-2075B	2.0Ω/10000W	MHL500-40*20 (20pcs in parallel)	160

Appendix D Dynamic Brake Unit and Braking Resistor

AC 400V Series

Model number of drive	Braking resistor specification		Approximate braking torque (10%ED)
	Minimum specification	Recommending combination	
RM5G-4001	400Ω/100W	MHL100-400*1	145
RM5G-4002	200Ω/200W	MHL100-400*2 (2pcs in parallel)	180
RM5G-4003	133Ω/300W	MHL100-400*3 (3pcs in parallel)	180
RM5G-4005	100Ω/400W	MHL100-400*4 (4pcs in parallel)	160
RM5G-4007	80Ω/1000W	MHL500-40*2 (2pcs in series)	125
RM5G-4010			100
RM5G-4015	40Ω/2000W	MHL500-40*4 (2pcs in parallel, 2 sets in series)	150
RM5G-4020			120
RM5G-4025B	27Ω/3000W	MHL500-40*6 (3pcs in parallel, 2 sets in series)	135
RM5G-4030B	20Ω/4000W	MHL500-40*8 (4pcs in parallel, 2 sets in series)	160
RM5G-4040B			120
RM5G-4050B	13.3Ω/6000W	MHL500-40*12 (6pcs in parallel, 2 sets in series)	150
RM5G-4060B	10Ω/8000W	MHL500-40*16 (8pcs in parallel, 2 sets in series)	165
RM5G-4075B	8Ω/10000W	MHL500-40*20 (10pcs in parallel, 2 sets in series)	160
RM5G-4100B			120
RM5G-4125B			100

Appendix D Dynamic Brake Unit and Braking Resistor

e. Recommending specification of dynamic brake unit (DBU6) and braking resistor

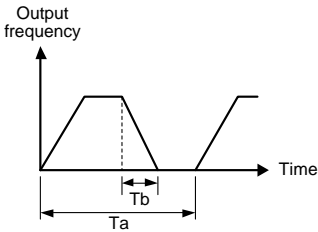
AC 200V Series

Drive Model number	DBU specification		Braking resistor specification		Approximate braking torque (10%ED)
	Model (DBU6-)	Unit (set)	Recommending combination	Unit (set)	
RM5G-2100	L400	1	MHL500-40*18 (9000W / 2.2Ω; 18pcs in parallel)	1	110
RM5G-2125	L400	1	MHL500-40*22 (11000W / 1.82Ω; 22pcs in parallel)	1	115
RM5G-2150	L400	1	MHL500-40*26 (13000W / 1.54Ω; 26pcs in parallel)	1	115
RM5G-2200	L400	2	MHL500-40*18 (9000W / 2.2Ω; 18pcs in parallel)	2	110
RM5G-2250	L400	2	MHL500-40*22 (11000W / 1.82Ω; 22pcs in parallel)	2	115

AC 400V Series

Drive Model number	DBU specification		Braking resistor specification		Approximate braking torque (10%ED)
	Model (DBU6-)	Unit (set)	Recommending combination	Unit (set)	
RM5G-4100	H200	1	MHL500-40*24 (12000W / 6.6Ω; 12pcs in parallel, 2 sets in series)	1	145
RM5G-4125					120
RM5G-4150	H300	1	MHL500-40*36 (18000W / 4.4Ω; 18pcs in parallel, 2 sets in series)	1	155
RM5G-4175					130
RM5G-4200	H400	1	MHL500-40*48 (24000W / 3.3Ω; 24pcs in parallel, 2 sets in series)	1	140
RM5G-4250					115
RM5G-4300	H300	2	MHL500-40*36 (18000W / 4.4Ω; 18pcs in parallel, 2 sets in series)	2	155
RM5G-4350	H300	2	MHL500-40*40 (20000W / 4Ω; 20pcs in parallel, 2 sets in series)	2	150
RM5G-4420	H400	2	MHL500-40*44 (22000W / 3.63Ω; 22pcs in parallel, 2 sets in series)	2	135
RM5G-4500	H400	2	MHL500-40*52 (26000W / 3.08Ω; 26pcs in parallel, 2 sets in series)	2	130
RM5G-4600	H400	3	MHL500-40*44 (22000W / 3.63Ω; 22pcs in parallel, 2 sets in series)	3	140

Appendix D Dynamic Brake Unit and Braking Resistor



Note:

1. %ED (Effective Duty Cycle) = $T_b/T_a \times 100\%$ (continuous operation time $T_b < 15$ sec). The definition is shown as left figure.
2. The wattages of recommending combination above the table are based on 10%ED.
3. 200V series drive or DBU braking activation voltage is DC 395V
4. 400V series drive or DBU braking activation voltage is DC 790V

f. Wiring Diagram of External Braking Resistor and Thermal Switch

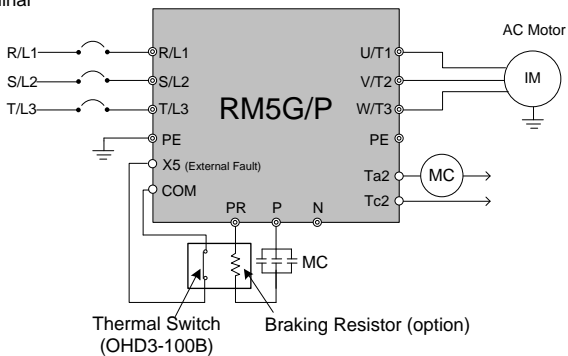
⚠ DANGER

Strongly recommend to install the thermal switch for the brake protection to prevent the brake from any possible damages caused by the overheating on the braking resistor. Please refer to the figure 1 and 2 as following for the wiring diagram.

1.) Wiring diagram a

- ⊙ Main Circuit Terminal
- Control Terminal

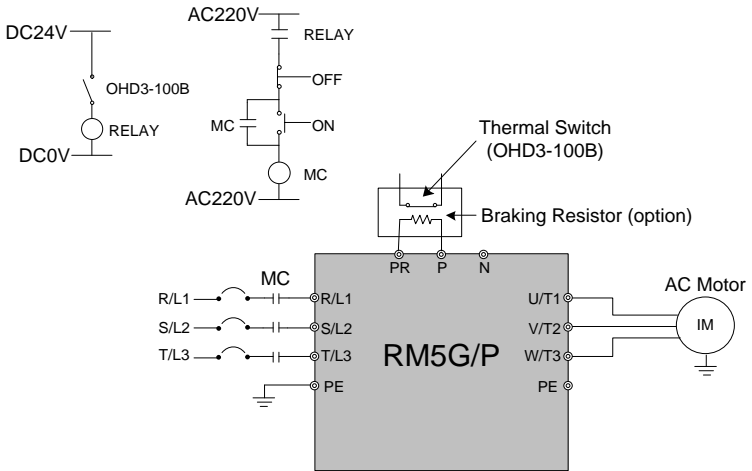
Three-phase AC power source (single-phase terminal are R/L1, S/L2)



(Figure 1)

- (1) Use the thermal switch to protect the braking resistor and then generate an external fault signal to the multi-function terminal (X5) to stop the drive when the braking resistor is overheating and interrupt the discharge loop of braking resistor by output terminals Ta2 / Tc2.
- (2) Set the multi-function terminal (X5) to “-7” (External fault).
- (3) Set the multi-function terminal (Ta2 / Tc2) to “-11” (Error detection).

2.) Wiring diagram b



(Figure 2)

When drive's power is controlled by the magnet contactor (MC), using the thermal switch to control magnet contactor (MC). The magnet contactor (MC) will be disconnected when the braking resistor under overheating condition.

Appendix D Dynamic Brake Unit and Braking Resistor

g. Wiring Diagram of External Dynamic Brake Unit(DBU6) and Thermal Switch



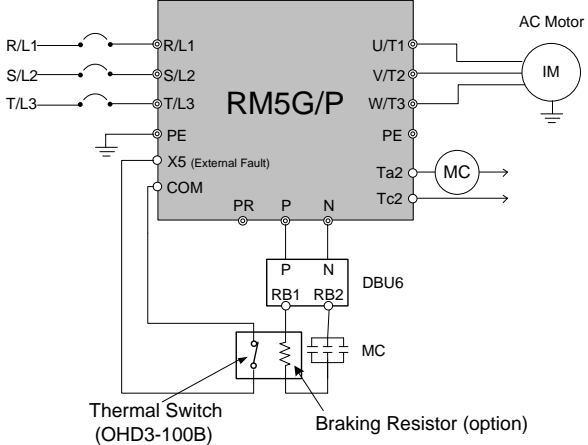
Strongly recommend to Install the thermal switch for the brake protection to prevent the brake from any possible damages caused by the overheating on the braking resistor. Please refer to the figure 1 and 2 as following for the wiring diagram.

1.) Wiring diagram a

⊙ Main Circuit Terminal

○ Control Terminal

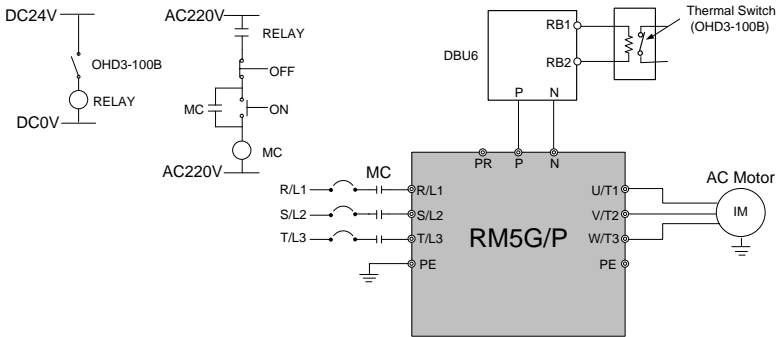
Three-phase AC power source (single-phase terminal are R/L1,S/L2)



(Figure 1)

- (1) Use the thermal switch to protect the braking resistor and then generate an external fault signal to the multi-function terminal (X5) to stop the drive when the braking resistor is overheating and interrupt the discharge loop of braking resistor by output terminals Ta2 / Tc2.
- (2) Set the multi-function terminals (X5) to “-7” (External fault).
- (3) Set the multi-function terminals (Ta2 / Tc2) to “-11” (Error detection).

2.) Wiring diagram b



(Figure 2)

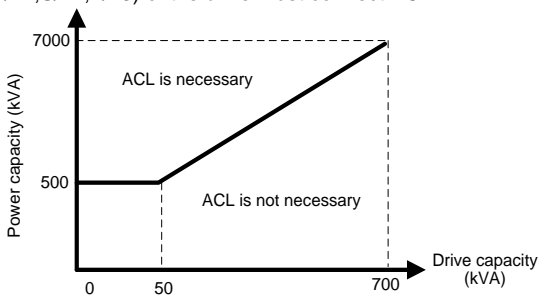
When drive's power is controlled by the magnet contactor (MC), using the thermal switch to control magnet contactor (MC). The magnet contactor (MC) will be disconnected when the braking resistor under overheating condition.

Appendix E Selection of Reactor

CAUTION

Due to the AC reactor(ACL) or DC reactor(DCL) possibly produce the heat in use, please Do NOT touch the reactor and caution the environment conditions.

- a. Suppress the harmonic current of power and improve the power factor is the main function of the ACL and DCL. Connect the ACL at the power source input terminal of the drive also can suppress the surge voltage to protect the drive.
- b. When the power capacity is over 500kVA or more than ten times of the rated capacity of the drive, adding the ACL (as below figure) is necessary. The input terminal (R/L1,S/L2,T/L3) of the drive must connect ACL.



- c. When the heater (with the SCR), air compressor, high-frequency equipment, or welding machine is installed at the same power source site, the harmonic current will interfere the drive. Thus, add the ACL at the input terminal (R/L1,S/L2,T/L3) of the drive is required.
- d. When multiple drives of high horse power are used, due to harmonic wave exerted, adding ACL at the input terminal (R/L1,S/L2,T/L3) of the drives is required to prevent the drives from the possible interference and power quality deterioration.
- e. When the cable length between the drive and motor is over 30 meters or multiple motors are used in parallel, please add ACL at the output terminal of the drive.
- f. Add the ACL at the input terminal(R/L1,S/L2,T/L3), the power factor is above 75%; Add ACL and DCL, the power factor is above 90%.(the specifications of ACL and DCL, please refer to page 133 ~ 134)
- g. RM5G series drive: ACL is the standard equipment for 100HP(included) or above and DCL is the standard equipment for 175HP(included) or above; RM5P series drive: ACL is the standard equipment for 125HP(included) or above and DCL is the standard equipment for 200HP(included) or above.
- h. The connecting cable between the drive and DCL must be the same specifications with the cable of input terminal(R/L1,S/L2,T/L3).

AC Reactor (ACL) Specifications

Drive model number	Input (R/L1,S/L2,T/L3)		Output (U/T1,V/T2,W/T3)		Drive model number	Input (R/L1,S/L2,T/L3)		Output (U/T1,V/T2,W/T3)	
	(mH)	(A)	(mH)	(A)		(mH)	(A)	(mH)	(A)
RM5G-2001/2	0.45	15	0.45	15	RM5G-4001	0.45	15	0.45	15
RM5G-2001	0.45	15	0.45	15	RM5G-4002	0.45	15	0.45	15
RM5G-2002	0.45	15	0.45	15	RM5G-4003	0.45	15	0.45	15
RM5G-2003	0.45	15	0.45	15	RM5G-4005	0.45	15	0.45	15
RM5G-2005	0.2	30	0.2	30	RM5G-4007	0.2	30	0.2	30
RM5G-2007	0.2	30	0.13	50	RM5G-4010	0.2	30	0.2	30
RM5G-2010	0.13	50	0.13	50	RM5G-4015	0.2	30	0.13	50
RM5G-2015	0.13	50	0.07	75	RM5G-4020	0.13	50	0.13	50
RM5G-2020	0.07	75	0.05	100	RM5G-4025	0.13	50	0.13	50
RM5G-2025	0.05	100	0.05	100	RM5G-4030	0.13	50	0.07	75
RM5G-2030	0.05	100	0.035	150	RM5G-4040	0.07	75	0.05	100
RM5G-2040	0.035	150	0.025	200	RM5G-4050	0.05	100	0.05	100
RM5G-2050	0.025	200	0.025	200	RM5G-4060	0.05	100	0.035	150
RM5G-2060	0.025	200	0.015	300	RM5G-4075	0.035	150	0.025	200
RM5G-2075	0.015	300	0.013	400	RM5G-4100	0.025	200	0.025	200
RM5G-2100	0.013	400	0.013	400	RM5G-4125	0.025	200	0.015	300
RM5G-2125	0.013	400	0.01	600	RM5G-4150	0.015	300	0.015	300
RM5G-2150	0.01	600	0.01	600	RM5G-4175	0.015	300	0.013	400
RM5G-2200	0.006	800	0.006	800	RM5G-4200	0.013	400	0.013	400
RM5G-2250	0.006	800	0.005	1000	RM5G-4250	0.013	400	0.01	600
-	-	-	-	-	RM5G-4300	0.01	600	0.01	600
-	-	-	-	-	RM5G-4350	0.01	600	0.006	800
-	-	-	-	-	RM5G-4420	0.006	800	0.006	800
-	-	-	-	-	RM5G-4500	0.006	800	0.005	1000
-	-	-	-	-	RM5G-4600	0.005	1000	0.005	1000

Appendix E Selection of Reactor

DC Reactor (DCL) Specifications

Drive model number	200V Series		Drive model number	400V Series	
	(mH)	(A)		(mH)	(A)
RM5G-2007	1.2	30	RM5G-4007	1.5	20
RM5G-2010	0.9	50	RM5G-4010	1.2	30
RM5G-2015	0.5	75	RM5G-4015	1.2	30
RM5G-2020	0.5	75	RM5G-4020	0.9	50
RM5G-2025	0.4	100	RM5G-4025	0.9	50
RM5G-2030	0.4	100	RM5G-4030	0.9	50
RM5G-2040	0.25	150	RM5G-4040	0.5	75
RM5G-2050	0.2	200	RM5G-4050	0.4	100
RM5G-2060	0.2	200	RM5G-4060	0.4	100
RM5G-2075	0.15	300	RM5G-4075	0.25	150
RM5G-2100	0.177	400	RM5G-4100	0.2	200
RM5G-2125	0.177	400	RM5G-4125	0.2	200
RM5G-2150	0.126	600	RM5G-4150	0.15	300
RM5G-2200	0.09	800	RM5G-4175	0.15	300
RM5G-2250	0.09	800	RM5G-4200	0.177	400
-	-	-	RM5G-4250	0.177	400
-	-	-	RM5G-4300	0.126	600
-	-	-	RM5G-4350	0.126	600
-	-	-	RM5G-4420	0.09	800
-	-	-	RM5G-4500	0.09	800
-	-	-	RM5G-4600	0.07	1000

Outline dimensions of AC reactor (ACL)

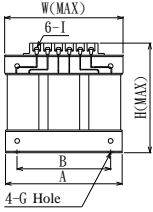


Figure A

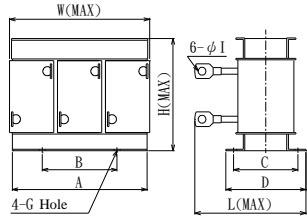


Figure B

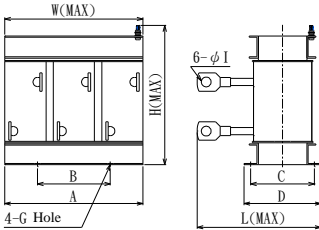


Figure C

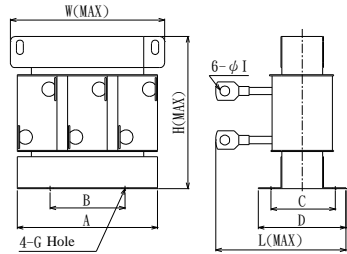


Figure D

Specifications of AC reactor (ACL)

Capacity	Figure	A	B	C	D	W (MAX)	L (MAX)	H (MAX)	G	I	Weight (kg)
0.45mH/15A	A	150	80	66	85	152	97	146	16x8	M4	4.0
0.2mH/30A	B	150	80	66	85	152	127	130	16x8	6	4.2
0.13mH/50A	B	150	80	68	85	152	134	131	16x8	6	4.6
0.07mH/75A	B	150	80	68	85	151	134	131	16x8	6	4.8
0.05mH/100A	B	180	100	77	97	182	145	149	16x8	8	8.0
0.035mH/150A	B	180	100	77	97	182	148	149	16x8	8	8.6
0.025mH/200A	B	180	100	90	107	182	165	153	16x8	8	9.8
0.015mH//300A	C	190	120	104	130	225	220	210	25x14	12	19
0.013mH//400A	C	230	120	104	130	230	240	200	22x10	12	20.2
0.01mH//600A	C	280	140	120	135	280	270	235	22x10	16	29.3
0.006mH/800A	D	300	150	140	174	300	300	305	25x13	15	65
0.005mH/1000A	D	350	160	145	184	350	290	320	25x13	14	84.6

(unit: mm)

Appendix E Selection of Reactor

Outline dimensions of DC reactor (DCL)

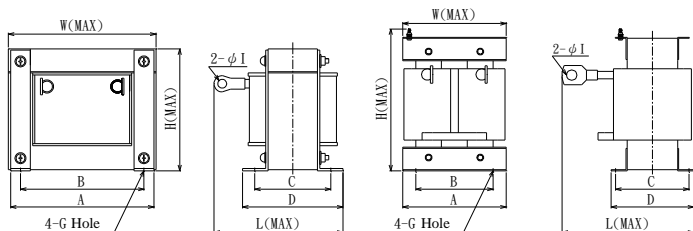


Figure A

Figure B

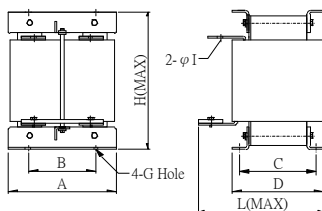


Figure C

Specifications of DC reactor (DCL)

Capacity	Figure	A	B	C	D	W (MAX)	L (MAX)	H (MAX)	G	I	Weight (kg)
1.5mH/20A	A	96	80	81	98	96	120	85	11×5	5	3.0
1.2mH/30A	A	114	95	89	110	114	150	100	13×6	6	4.4
0.9mH/50A	A	134	111	87	107	134	160	115	14×6	6	6.5
0.5mH/75A	A	134	111	87	107	134	160	115	14×6	6	6.8
0.4mH/100A	A	162	135	102	133	162	180	140	17×8	8	12.5
0.25mH/150A	A	162	135	114	145	162	188	140	17×8	8	13.8
0.2mH/200A	A	162	135	122	153	162	200	139	17×8	8	15.5
0.15mH/300A	B	160	120	123	140	190	225	230	21×10	12	19
0.177mH/400A	B	200	150	160	170	200	280	270	22×13	12	34.7
0.126mH/600A	C	240	182	175	194	240	320	315	20×13	14	60.5
0.09mH/800A	C	250	150	150	190	250	290	385	25×13	15	72
0.07mH/1000A	C	270	160	155	200	270	310	400	25×13	15	86

(unit: mm)

Appendix F Selection of Zero-Phase Radio Frequency Filter

Please read this manual carefully to understand the correct and safety operations before using the product to prevent possible personnel injuries caused by false operations.

CAUTION

- (1) Do Not touch zero-phase radio frequency filter(RFI Filter) to prevent the scald burn from the extreme high temperature when the drive is during running.
- (2) Move the product with proper method and please be more caution of the sharp parts to avoid possible injuries.
- (3) Wiring or inspection must be done by qualified professional technicians.

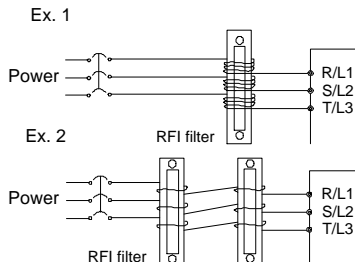
By installing the RFI filter(s), it can reduce the radio frequency interference generated by drive.

1. Specification of product:

	Model	RM5G/P
Environmental Condition	Use Place	(1) Clean place without high temperature, high humidity, or flammable/corrosive gases. (2) If the zero-phase radio frequency filter is installed inside the power distribution panel, the surrounding temperature should not exceed the range(-10 ~ +50°C). (3) The heat will be generated in the zero-phase radio frequency filter, so the space should be reserved for heat dissipation.
	Surrounding Temperature	-10 ~ +50°C (Non-freezing and non-condensing)
	Relative Humidity	90%RH or less (No-condensing atmosphere)
	Vibration	Less than 5.9m/sec ² (0.6G)

2. Wiring for RFI: Connect the RFI filter in accordance with the following wiring diagram.

(1) Install the RFI filter at the power source site of the drive

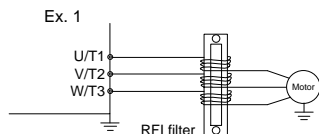


Wind all 3-phase power cords around RFI filter in same direction with same coil numbers, and then connect to the power input terminal of the drive.
Caution: Do Not exceed 4 coils to prevent overheating of RFI filter.

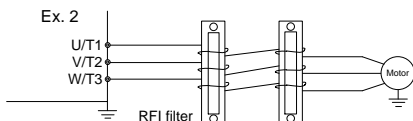
Note:
 The ground wire or the four-core cable with ground wire cannot pass through RFI filter, otherwise the filtration effect will be reduced.

Appendix F Selection of Zero-Phase Radio Frequency Filter

(2) Install the RFI filter at the output site of the drive

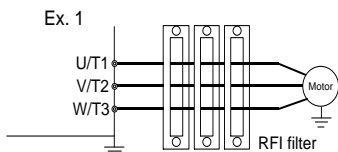


Wind all 3-phase power cords around RFI filter in same direction with same coil number, and then connect to motor terminals of the drive.
Caution: Do Not exceed 4 coils to prevent overheating of RFI filter.



Note:
 The ground wire or the four-core cable with ground wire cannot pass through RFI filter; otherwise the filtration effect will be reduced.

(3) If the power cords are too thick to be wound, pass the power cords through RFI filter directly, and connect two or more RFI filter in series.



Pass all 3-phase power cords through RFI filter in same direction with same coil number, and then connect to motor terminals of the drive.

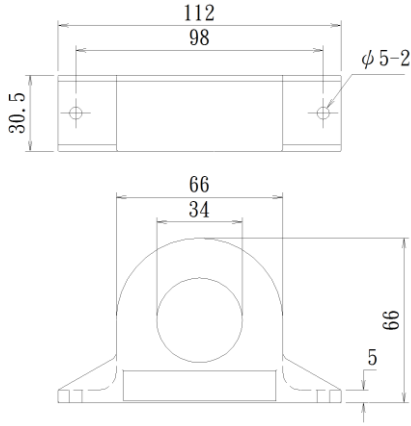
Note:
 The ground wire or the four-core cable with ground wire cannot pass through RFI filter; otherwise the filtration effect will be reduced.

3. Increase the numbers of RFI filter when the radio frequency is too high.
 4. The correspondings for wiring size, maximum winding numbers and RFI filters are shown as below table:

Main circuit wiring size (mm ²)	Maximum winding numbers (three-phase cable)	Model selection of RFI filter
2 / 3.5	4	RFI-01
5.5	3	
8 / 14	2	
22	1	
22 / 38	4	RFI-02
50/60	2	
80 / 100 / 125 / 150	1	
50/60	3	RFI-03
80 / 100 / 125 / 150	2	
200	1	
50 / 60	4	RFI-04
80 / 100	3	
125 / 150	2	
200	2	
250	1	

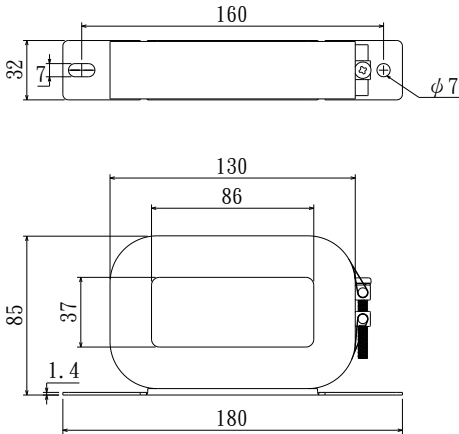
Appendix F Selection of Zero-Phase Radio Frequency Filter

4. Outline dimensions of RFI-01:



(unit: mm)

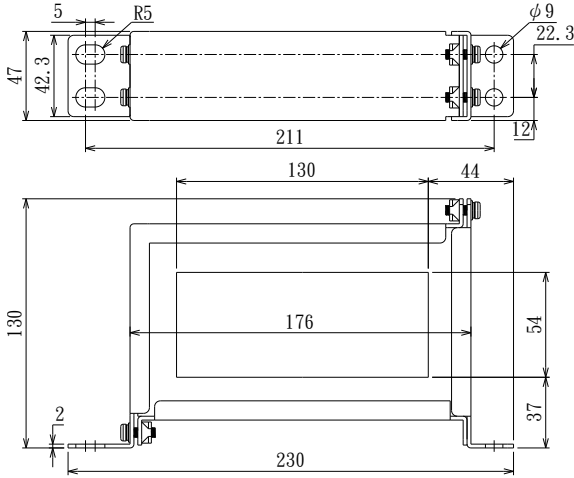
5. Outline dimensions of RFI-02:



(unit: mm)

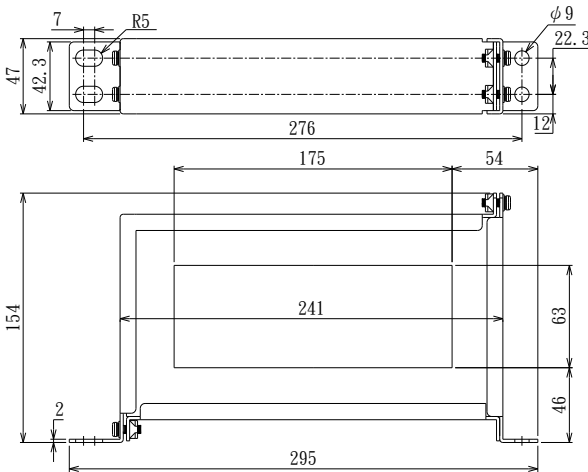
Appendix F Selection of Zero-Phase Radio Frequency Filter

6. Outline dimensions of RFI-03:



(unit: mm)

7. Outline dimensions of RFI-04:



(unit: mm)

Appendix G Selection of EMC Filter

ElectroMagnetic Interference(EMI) is a major bother of drive. In many countries especially in Europe have the strict limit for the AC motor drive generated the electromagnetic interference.

Drive will generate high-frequency / low-frequency noise to interfere the peripheral equipment by radiation or conduction when the drive is running.

CAUTION

- (1) Keep all grounding connections as short as physically possible.
- (2) Use the largest area as grounding conductor, for example the cabinet wall.
- (3) The filter must be mounted on the same panel as the drive.

Recommending specification of EMC filter

Select an EMC filter in accordance with the model number of drive to suppress drive's electromagnetic interference.

100V/200V Series

Drive model number	EMC filter model number	EMC filter rated current / phase
RM5G-1001/2-1PH	FN2090-10-06	10A / 1 ϕ
RM5G-1001-1PH	FN2090-20-06	20A / 1 ϕ
RM5G-1002-1PH	FN2090-30-08	30A / 1 ϕ
RM5G-2001/2-1PH	FN2090-10-06	10A / 1 ϕ
RM5G-2001-1PH	FN2090-10-06	10A / 1 ϕ
RM5G-2002-1PH	FN2090-20-06	20A / 1 ϕ
RM5G-2001/2	FN3270H-10-44	10A / 3 ϕ
RM5G-2001	FN3270H-10-44	10A / 3 ϕ
RM5G-2002	FN3270H-10-44	10A / 3 ϕ
RM5G-2003	FN3270H-20-44	20A / 3 ϕ
RM5G-2005	FN3270H-20-44	20A / 3 ϕ
RM5G-2007	FN3270H-35-33	35A / 3 ϕ
RM5G-2010	FN3270H-35-33	35A / 3 ϕ
RM5G-2015	FN3270H-50-34	50A / 3 ϕ
RM5G-2020	FN3270H-65-34	65A / 3 ϕ
RM5G-2025	FN3270H-80-35	80A / 3 ϕ
RM5G-2030	FN3270H-100-35	100A / 3 ϕ
RM5G-2040	FN3270H-150-99	150A / 3 ϕ
RM5G-2050	FN3270H-200-99	200A / 3 ϕ
RM5G-2060	FN3270H-200-99	200A / 3 ϕ
RM5G-2075	FN3270H-250-99	250A / 3 ϕ
RM5G-2100	FN3270H-320-99	320A / 3 ϕ
RM5G-2125	FN3270H-400-99	400A / 3 ϕ
RM5G-2150	FN3270H-600-99	600A / 3 ϕ
RM5G-2200	FN3270H-800-99	800A / 3 ϕ
RM5G-2250	FN3270H-800-99	800A / 3 ϕ

Appendix G Selection of EMC Filter

400V Series

Drive model number	EMC filter model number	EMC filter rated current / phase
RM5G-4001	FN3270H-10-44	10A / 3 ϕ
RM5G-4002	FN3270H-10-44	10A / 3 ϕ
RM5G-4003	FN3270H-10-44	10A / 3 ϕ
RM5G-4005	FN3270H-10-44	10A / 3 ϕ
RM5G-4007	FN3270H-20-44	20A / 3 ϕ
RM5G-4010	FN3270H-20-44	20A / 3 ϕ
RM5G-4015	FN3270H-35-33	35A / 3 ϕ
RM5G-4020	FN3270H-35-33	35A / 3 ϕ
RM5G-4025	FN3270H-50-34	50A / 3 ϕ
RM5G-4030	FN3270H-50-34	50A / 3 ϕ
RM5G-4040	FN3270H-65-34	65A / 3 ϕ
RM5G-4050	FN3270H-80-35	80A / 3 ϕ
RM5G-4060	FN3270H-100-35	100A / 3 ϕ
RM5G-4075	FN3270H-150-99	150A / 3 ϕ
RM5G-4100	FN3270H-200-99	200A / 3 ϕ
RM5G-4125	FN3270H-200-99	200A / 3 ϕ
RM5G-4150	FN3270H-250-99	250A / 3 ϕ
RM5G-4175	FN3270H-320-99	320A / 3 ϕ
RM5G-4200	FN3270H-320-99	320A / 3 ϕ
RM5G-4250	FN3270H-400-99	400A / 3 ϕ
RM5G-4300	FN3270H-600-99	600A / 3 ϕ
RM5G-4350	FN3270H-600-99	600A / 3 ϕ
RM5G-4420	FN3270H-800-99	800A / 3 ϕ
RM5G-4500	FN3270H-800-99	800A / 3 ϕ
RM5G-4600	FN3270H-1000-99	1000A / 3 ϕ

Note:

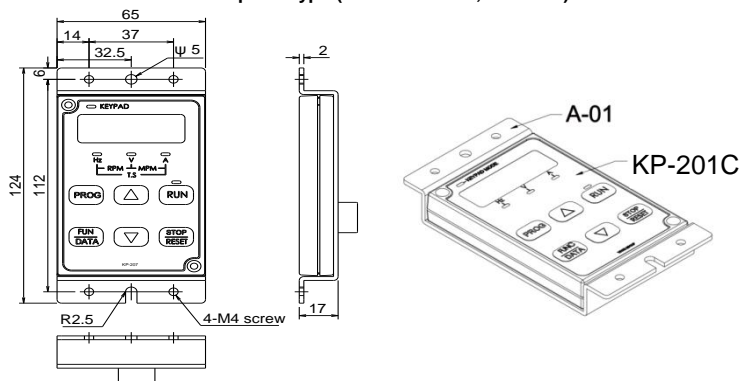
- 1: The leakage current of FN2090 series approximately 0.5mA ~ 1.02mA
- 2: The leakage current of FN3270 series approximately 26.4mA ~ 59.5mA

Appendix H Instruction of Remote Controller and External Display

a. Remote controller

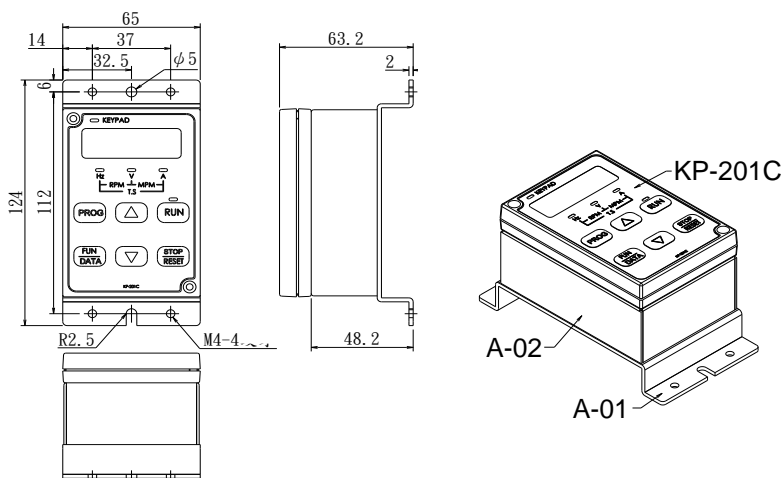
Remote controller KP-201C(KP-202) have two types of supporting frame(internal/external panel types):

1. Dimension of internal panel type (consist of A-01, KP-201C)



(unit: mm)

2. Dimension of external panel type (consist of A-01, A-02, KP-201C)

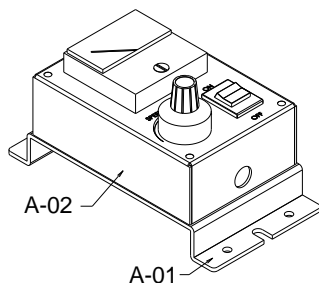


(unit: mm)

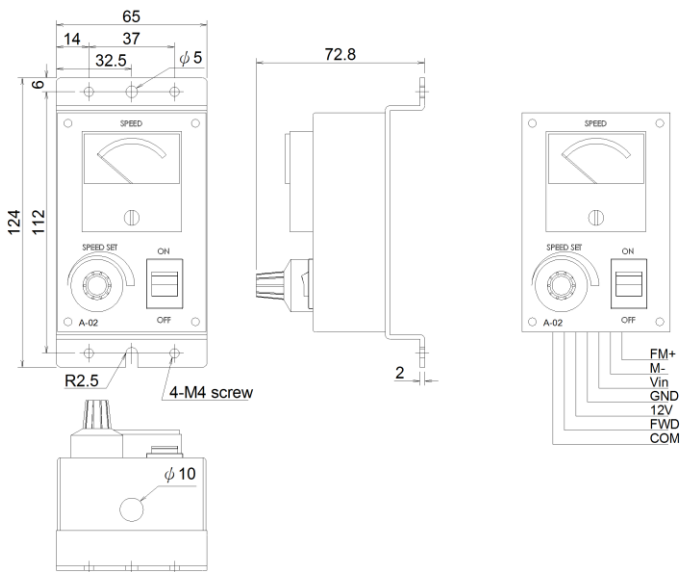
Appendix H Instruction of Remote Controller and External Display

3. Dimension of external panel type (consist of A-01, A-02, RAC-01)

- (1) RAC-01 is used for the remote independent control or control panel.
- (2) Analog type indicator, 1K Ω (1/2W) potentiometer (10 turns) for adjusting frequency and ON/OFF switch.



(3) Dimension diagram and wiring definition

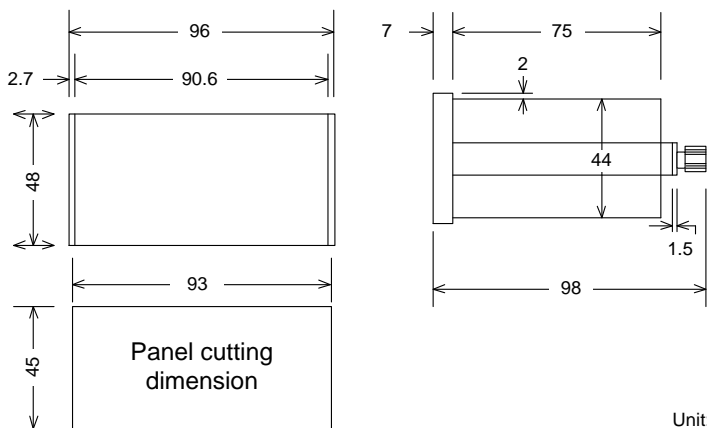


(Unit: mm)

b. External display: DM-501

DM-501 can be directly connected to the drive without connecting extra power source. DM-501 can display the voltage, current, frequency, and machine speed etc. (refer to page 104 for wiring diagram).

1. Outline dimensions



2. Appearance of display panel

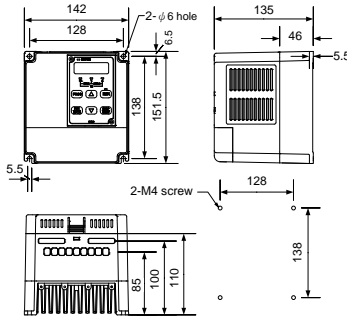


3. The standard length of 2.54/5P wires is 1.5 m and 3 m respectively. Do not exceed this length.

Appendix I Outline Dimension Drawing of Drives

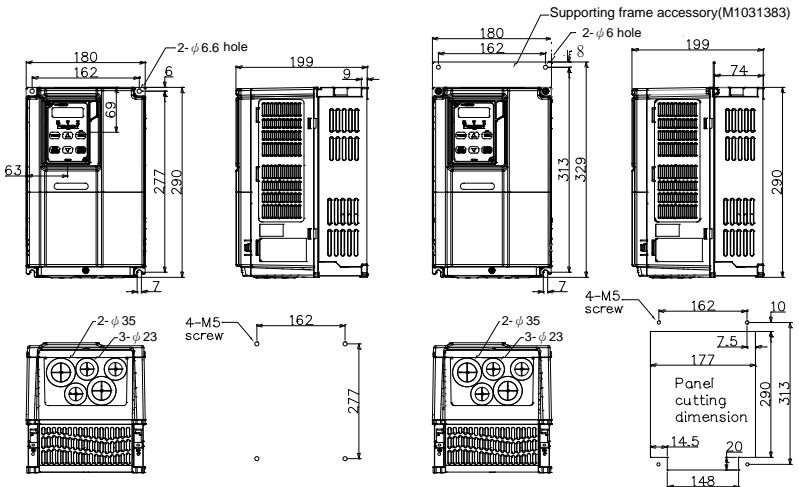
Appendix I Outline Dimension Drawing of Drives

Model Number: RM5G-1001/2-1PH ~ RM5G -1002-1PH ;
 RM5G -2001/2-1PH ~ RM5G -2002-1PH ;
 RM5G -2001/2 ~ RM5G -2005 ;
 RM5G -4001 ~ RM5G -4005



(unit: mm)

Model Number: RM5G-2007 ~ RM5G-2015 ; RM5P-2010 ~ RM5P-2020 ;
 RM5G-4007 ~ RM5G-4025 ; RM5P-4010 ~ RM5P-4030
 Internal cooling type External cooling type

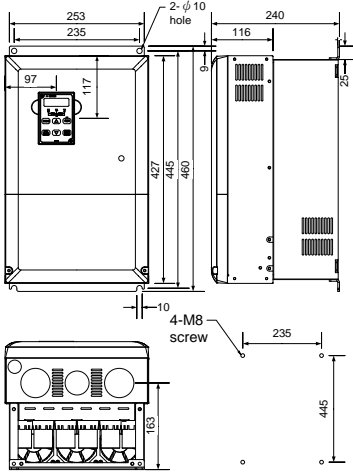


(unit: mm)

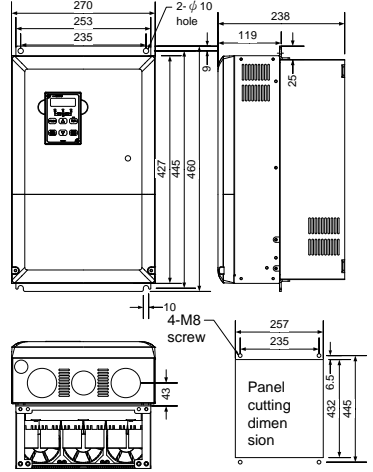
Appendix I Outline Dimension Drawing of Drives

Model Number: RM5G-2020 ~ RM5G-2040 ; RM5P-2025 ~ RM5P-2050 ;
 RM5G-4030 ~ RM5G-4060 ; RM5P-4040 ~ RM5P-4075

Internal cooling type



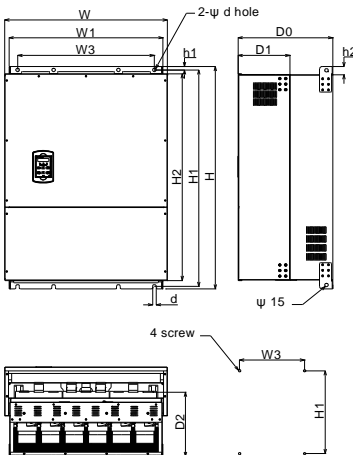
External cooling type



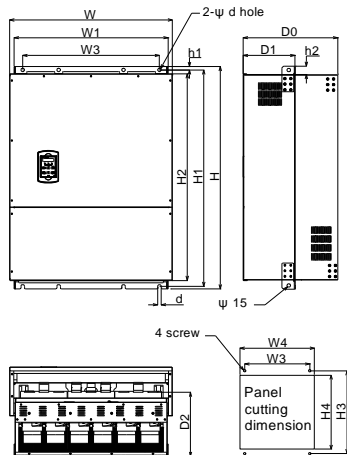
(unit: mm)

Model Number: RM5G-2050 ~ RM5G-2250; RM5P-2060 ~ RM5P-2250;
 RM5G-4075 ~ RM5G-4600; RM5P-4100 ~ RM5P-4700

Internal cooling type



External cooling type



*Refer to below table for outline dimension

Appendix I Outline Dimension Drawing of Drives

RM5G/RM5P 200V series

Model number	Dimension (mm)													Screw (mm)				
	W	W1	W3	W4	H	H1	H2	H3	H4	h1	h2	h3	D0		D1	D2	d	d1
RM5G-2050 RM5G-2060 RM5G-2075 RM5P-2060 RM5P-2075 RM5P-2100	386	361	275	365	584	562	539	564	545	11	25	10	325	170	242	10	3	M8
RM5G-2100 RM5P-2125	446	418	275	427	685	660	630	662	634	14	30	12	334	172	246	12	3	M10
RM5G-2125 RM5G-2150 RM5P-2150	508	479	275	487	818	785	751	788	758	19	35	12	366	183	257	15	3	M12
RM5G-2200 RM5G-2250 RM5P-2200 RM5P-2250	696	654	580	657	1000	974	929	978	936	15	39	18	405	224	294	15	3	M12

Appendix I Outline Dimension Drawing of Drives

RM5G/RM5P 400V series

Model number	Dimension (mm)													Screw (mm)				
	W	W1	W3	W4	H	H1	H2	H3	H4	H1	h2	h3	D0		D1	D2	d	d1
RM5G-4075 RM5G-4100 RM5G-4125 RM5P-4100 RM5P-4125 RM5P-4150	386	361	275	365	584	562	539	564	545	11	25	10	325	170	242	10	3	M8
RM5G-4150 RM5P-4175	446	418	275	427	685	660	630	662	634	14	30	12	334	172	246	12	3	M10
RM5G-4175 RM5G-4200 RM5G-4250 RM5P-4200 RM5P-4250 RM5P-4300	508	479	275	487	818	785	751	788	758	19	35	12	366	183	257	15	3	M12
RM5G-4300 RM5G-4350 RM5G-4420 RM5P-4350 RM5P-4420	696	654	580	657	1000	974	929	978	936	15	39	18	405	224	294	15	3	M12
RM5G-4500 RM5G-4600 RM5P-4500 RM5P-4600 RM5P-4700	992	954	710	958	1030	1003	963	1007	968	15	39	19	419	235	308	15	3	M12

Appendix J Auxiliary Controller (ACE-S Series)

Appendix J Auxiliary Controller (ACE-S Series)

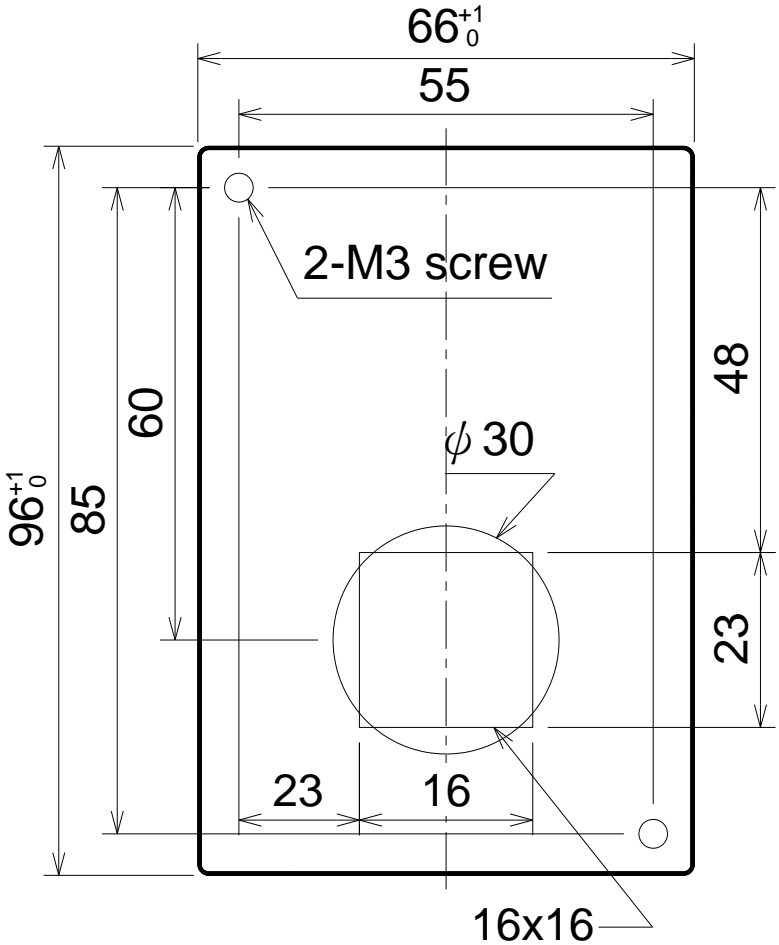
Type	Name	Application
ACE-S02/02B/02C	DEVIATION DETECTOR	<p>Convert the angle deviation which is detected by ADD-02 (SYNCHRO) into DC voltage signal. The deviation detector can control the drive operation by switching the aligned-speed, synchronized, and constantly tensile operations.</p> <p>The built-in tilt circuit for output signal can slow the acceleration/deceleration time and reduce the mechanical impact.</p>
ACE-S04/06	RATIO / DIFFERENTIAL CONTROLLER	<p>The controller can select ratio (ACE-S04) or differential (ACE-S06) control mode. One set controller can connect with 6 set of drivers, when the controller is set to ratio or differential mode. (Default setting is ratio control mode(ACE-S04)).</p> <p>The built-in tilt circuit for output signal can slow the acceleration/deceleration time and reduce the mechanical impact.</p>
ACE-S08/09	SPEED SIGNAL TRANSFER / FEEDBACK CONTROLLER	<p>Convert the rotation speed of motor into DC voltage by tachogenerator or photo-interrupter pulse generator as the frequency control signal or feedback signal of rotation speed to the drive.</p> <p>The controller can match with the potentiometer or deviation detector to enable constant tension, constantly liner speed and slack of winding for cloth, wire or plastic applications. The controller can match with tachogenerator to enable constantly linear speed or constant speed control for motor.</p> <p>The built-in tilt circuit for output signal can slow the acceleration/deceleration time and reduce the mechanical impact.</p>
ACE-S10	MULTI-FUNCTION CONTROLLER	<p>Multi-place control: The drive can be started, accelerated, decelerated, and stopped by remote control, and the drive can auto-storing the operation frequency when the power failure by using multi-function controller.</p> <p>Traverse control: Used in the occasion of making silk thread move around by traverse winding equipment.</p> <p>Sequential operation control with multi-speed: Execute the sequential control in accordance with the setting speed, and supporting the circulation operation.</p>

Appendix J Auxiliary Controller (ACE-S Series)

Type	Name	Application
ACE-S12	SIGNAL DISTRIBUTOR	<p>Transfer the input current into voltage signal and then sending to 5 sets output terminal in simultaneously (The output signal can be switched to current or voltage signal).</p> <p>For multiple drives with constant pressure application. The pressure signal can be sent to more than 1 drive simultaneously so that remaining the constant pressure control.</p>
ACE-S13A/13B	SIGNAL ISOLATION CONVERTER	<p>Having DC 0~10V/DC 4~20mA(0~20mA) signals input-output isolation circuit by converting the input signal. Four signals (I-I, I-V, V-V, V-I).</p> <p>ACE-S13A: Output current range : DC 0 ~ 20mA</p> <p>ACE-S13B: Output current range : DC 4 ~ 20mA</p>

No Text on This Page

Attachment 1 Dimension of Keypad (KP-201C, KP-202)



Scale: 1:1
Unit: mm

Attachment 2 Setting Memo

Attachment 2 Setting Memo

Func.	Description	Def60	Actual Setting Value	Func.	Description	Def60	Actual Setting Value
F_000		-		F_022		Note	
F_001		3		F_023		Note	
F_002		1		F_024		Note	
F_003		1		F_025		Note	
F_004		1		F_026		Note	
F_005		1		F_027		Note	
F_006		1		F_028		Note	
F_007		20.00		F_029		0.0	
F_008		0		F_030		0	
F_009		60.00 (50.00)		F_031		60.00 (50.00)	
F_010		10.0		F_032		0.5	
F_011		20.0		F_033		200V series: 8.0 400V series: 12.0	
F_012		30.0		F_034		60.00 (50.00)	
F_013		0.00		F_035		200V series: 220.0 400V series: 380.0	
F_014		0.00		F_036		0.0	
F_015		0.00		F_037		0.0	
F_016		0.00		F_038		0.0	
F_017		6.00		F_039		0.0	
F_018		60.00 (50.00)		F_040		1.00	
F_019		Note		F_041		0.00	
F_020		Note		F_042		1.00	
F_021		Note		F_043		0.00	

Attachment 2 Setting Memo

Func.	Description	Def60	Actual Setting Value	Func.	Description	Def60	Actual Setting Value
F_044		0		F_068		160	
F_045		1.00		F_069		0.1	
F_046		1		F_070		170	
F_047		20		F_071		160	
F_048		According to the rated current of motor		F_072		Note	
F_049		1/3 motor rated current		F_073		Note	
F_050		0.0		F_074		1	
F_051		4P		F_075		50	
F_052		3		F_076		0.5	
F_053		4		F_077		0.0	
F_054		1		F_078		0	
F_055		2		F_079		200V series: 175.0 400V series: 320.0	
F_056		7		F_080		0	
F_057		6		F_081		1	
F_058		3		F_082		0	
F_059		2		F_083		0	
F_060		11		F_084		0.0	
F_061		2.0		F_085		0.0	
F_062		2.0		F_086		0.0	
F_063		0.0		F_087		0.0	
F_064		1.0		F_088		150	
F_065		0		F_089		0.5	
F_066		0		F_090		100	
F_067		0					

Attachment 2 Setting Memo

Func.	Description	Def60	Actual Setting Value	Func.	Description	Def60	Actual Setting Value
F_091		-		F_114		5	
F_092		0		F_115		3	
F_093		1		F_116		1	
F_094		3		F_117		0	
F_095		200V series: 220.0 400V series: 380.0		F_118		0	
F_096		0.5		F_119		0	
F_097		0.0		F_120		1	
F_098		1		F_121		0.00	
F_099		1		F_122		0	
F_100		2		F_123		0	
F_101		3		F_124		1	
F_102		0		F_125		1	
F_103		3.0		F_126		0	
F_104		Note		F_127		1.00	
F_105		Note		F_128		0.00	
F_106		0.0		F_129		2	
F_107		0.00		F_130		1.00	
F_108		10		F_131		1	
F_109		0		F_132		0.5	
F_110		1		F_133		-	
F_111		20		F_134		-	
F_112		17					
F_113		8					

Note:

The setting of value depends on the horse power (HP) of drive:












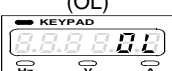

0.5 ~ 5HP → 5 sec

7.5 ~ 30HP → 15 sec

40HP above → 30 sec

Attachment 3 Fault Display






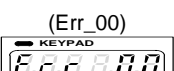
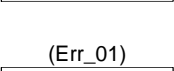
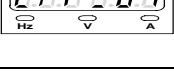

Error Trip Messages of Drive

Display	Description	Display	Description
(EEr) 	EEPROM error	(OLO) 	System overload
(AdEr) 	A/D converter error	(thr) 	External fault
(SC) 	Fuse open	(PAdF) 	Keypad interruption during copy
(LE1) 	Under voltage during operation	-	-
(OC) 	Drive over current	-	-
(GF) 	Grounding fault	-	-
(OE) 	Over voltage	-	-
(OH) 	Drive overheating	-	-
(OL) 	Motor overload	-	-
(OL1) 	Drive overload	-	-

Attachment 3 Fault Display

Warning Messages of Drive

*When the drive displays below messages, drive will stop output. If the abnormal condition is removed, the drive will auto-restart.

Display	Description	Display	Description
(LE) 	Power source under voltage	-	-
(bb) 	Drive output interruption	-	-
(Fr) 	Coast to stop	-	-
(db) 	Over voltage at stop	-	-
(PrEr) 	Software fault	-	-
(Err_00) 	Err_00: Keypad cable trip. (before connecting)	-	-
(Err_01) 	Err_01: Keypad cable trip. (connected)	-	-
(dtF) 	Direction command error	-	-
(Wr_F) 	Different software version inter-copy	-	-

