

Relative and differential pressure transmitter type 692

Pressure range
0 ... 0.1 – 25 bar



Type 692 pressure transmitters have a unique, well proven ceramic technology. There are variety of pressure and electrical connections available, together with several standardised output signals. The wide variety of options makes these transmitters ideal for applications across a broad spectrum of industries.

- Very low temperature sensitivity
- High resistance to extreme temperatures
- No mechanical creepage
- Modular system and choice of materials to suit individual applications

Technical overview

Pressure range

Relative and differential 0 ... 0.1 – 25 bar

Operating conditions

| | | |
|--------------------------------|------------------|--------------------------------|
| Medium | | Liquids and neutral gases |
| Temperature | Medium / ambient | -15 ... +85 °C |
| | Storage | -40 ... +85 °C |
| Tolerable overload on one side | | See order code selection table |
| System pressure | ≤ 6 bar | 25 bar |
| | ≥ 10 bar | 50 bar |
| Rupture pressure | | 1.5x fs |

Materials

| | | |
|--------------------------------------|---------------------|--|
| Case | | Stainless steel 1.4305 / AISI 303 |
| Materials in contact with the medium | Pressure connection | Stainless steel 1.4305 / AISI 303, PVDF, CuZn nickel plated |
| | Sensor | ceramic Al ₂ O ₃ (96%) |
| | Sealing material | FPM, EPDM, NBR, MVQ |

Electrical overview

| | Output | Power supply | Load | Current consumption (at nominal pressure) |
|------------------------------|--|-----------------------------|---|---|
| 2 wire | 4 ... 20 mA | 11 ... 33 VDC | $< \frac{\text{supply voltage} - 11 \text{ V}}{0.02 \text{ A}}$ [Ohm] | < 20 mA |
| | 0 ... 5 V | 11 ... 33 VDC / 24 VAC ±15% | >10 kOhm | < 5 mA |
| 3 wire | 0 ... 10 V | 18 ... 33 VDC / 24 VAC ±15% | >10 kOhm | < 5 mA |
| | ration. 10 ... 90% | 5 VDC ±5% | >10 kOhm | < 5 mA |
| Polarity reversal protection | Short circuit proof and protected against polarity reversal. Each connection is protected against crossover up to max. supply voltage. | | | |

Dynamic response

| | |
|---------------|---------|
| Response time | < 5 ms |
| Load cycle | < 50 Hz |

Protection standard

IP 65

Electrical connection

Connector DIN EN 175301-803-A

Connector DIN EN 60130-9

Cable 1.5 m PG7

Pressure connection

| | |
|-------------------|--------------|
| Pressure tube tip | Ø 4 mm |
| | Ø 6 mm |
| Screw fitting | Ø 6 mm |
| | Ø 8 mm |
| Outside thread | 7/16"-20 UNF |
| | G 1/8 |
| Inside thread | 1/8"-27 NPT |
| | G 1/8 |

Mounting instruction

| | |
|--------------------------|------------------|
| Installation arrangement | Unrestricted |
| Mounting | Mounting bracket |

Tests / Admissions

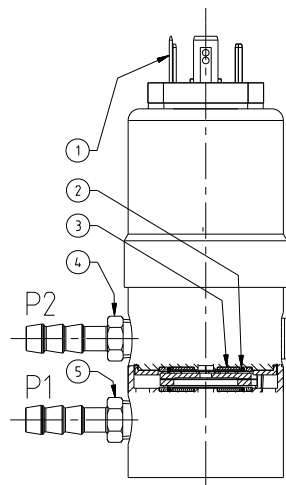
| | |
|-------------------------------|---------------------------------|
| Electromagnetic compatibility | CE conformity acc. EN 61326-2-3 |
|-------------------------------|---------------------------------|

Weight

~ 430 g

Packaging

| | |
|-------------------------------|----------------------|
| Single packaging in cardboard | accessories included |
|-------------------------------|----------------------|



Legend to cross-section drawing

- 1 Electrical connection
- 2 Seals
- 3 Ceramic element
- 4 P2 Pressure connection (lower pressure)
- 5 P1 Pressure connection (higher pressure)

Accuracy

| Parameter | Unit | Versions with overload on one side ≤ 2x nominal pressure | Versions with overload on one side ≤ 3x nominal pressure | Versions with overload on one side ≤ 7.5x nominal pressure |
|--|---------------|--|--|--|
| Tolerance zero point | max. % fs | ± 0.4 | ± 0.75 | ± 1.25 |
| Tolerance full scale | max. % fs | ± 0.4 | ± 0.75 | ± 1.25 |
| Resolution | % fs | 0.1 | 0.15 | 0.25 |
| Total of linearity, hysteresis and repeatability | max. % fs | ± 0.5 | ± 0.75 | ± 1.25 |
| Long term stability acc. to DIN EN 60770 | % fs | ± 0.5 | ± 0.5 | ± 0.5 |
| TC zero point ¹⁾ | max. % fs/10K | See order code selection table | See order code selection table | See order code selection table |
| TC sensitivity ¹⁾ | max. % fs/10K | ± 0.15 | ± 0.23 | ± 0.38 |

Test conditions: 25 °C, 45% RH, Power supply 24 VDC
TC z.p. / TC s. -15 ... +80 °C

Order code selection table

692.9 X X X X X X X X X X

| Pressure range ²⁾ | Tolerable overload on one side | TC z.p. (fs/10K) | | | | | | | | | | |
|---------------------------------------|--|---|-------------------------|---|---|--|--|--|--|---|---|---|
| | P1 | P2 | | | | | | | | | | |
| 0 ... + 0.1 bar | max. 0.6 bar (6 x Nominal pressure) | 0.6 bar | ± 1.2 % | 0 | 0 | | | | | | | |
| 0 ... + 0.2 bar | max. 1.2 bar (6 x Nominal pressure) | 1.2 bar | ± 1.2 % | 0 | 2 | | | | | | | |
| 0 ... + 0.2 bar | max. 0.6 bar (3 x Nominal pressure) | 0.6 bar | ± 0.6 % | 4 | 0 | | | | | | | |
| 0 ... + 0.25 bar | max. 1.2 bar (4.8 x Nominal pressure) | 1.2 bar | ± 1.0 % | 0 | 3 | | | | | | | |
| 0 ... + 0.25 bar | max. 0.6 bar (2.4 x Nominal pressure) | 0.6 bar | ± 0.5 % | 4 | 1 | | | | | | | |
| 0 ... + 0.3 bar | max. 0.6 bar (2 x Nominal pressure) | 0.6 bar | ± 0.4 % | 0 | 1 | | | | | | | |
| 0 ... + 0.4 bar | max. 1.2 bar (3 x Nominal pressure) | 1.2 bar | ± 0.6 % | 0 | 4 | | | | | | | |
| 0 ... + 0.4 bar | max. 2 bar (5 x Nominal pressure) | 2 bar | ± 1.0 % | 0 | 5 | | | | | | | |
| 0 ... + 0.5 bar | max. 1.2 bar (2.4 x Nominal pressure) | 1.2 bar | ± 0.5 % | 0 | 6 | | | | | | | |
| 0 ... + 0.5 bar | max. 3 bar (6 x Nominal pressure) | 3 bar | ± 0.8 % | 0 | 7 | | | | | | | |
| 0 ... + 0.6 bar | max. 1.2 bar (2 x Nominal pressure) | 1.2 bar | ± 0.4 % | 0 | 8 | | | | | | | |
| 0 ... + 0.6 bar | max. 3 bar (5 x Nominal pressure) | 3 bar | ± 0.7 % | 0 | 9 | | | | | | | |
| 0 ... + 1 bar | max. 2 bar (2 x Nominal pressure) | 2 bar | ± 0.4 % | 1 | 1 | | | | | | | |
| 0 ... + 1 bar | max. 5 bar (5 x Nominal pressure) | 5 bar | ± 1.0 % | 1 | 2 | | | | | | | |
| 0 ... + 1.6 bar | max. 3.2 bar (2 x Nominal pressure) | 3.2 bar | ± 0.4 % | 1 | 3 | | | | | | | |
| 0 ... + 1.6 bar | max. 12 bar (7.5 x Nominal pressure) | 12 bar | ± 1.0 % | 1 | 4 | | | | | | | |
| 0 ... + 2.5 bar | max. 5 bar (2 x Nominal pressure) | 5 bar | ± 0.4 % | 1 | 5 | | | | | | | |
| 0 ... + 2.5 bar | max. 12 bar (4.8 x Nominal pressure) | 12 bar | ± 0.6 % | 1 | 6 | | | | | | | |
| 0 ... + 4 bar | max. 8 bar (2 x Nominal pressure) | 8 bar | ± 0.4 % | 1 | 7 | | | | | | | |
| 0 ... + 4 bar | max. 12 bar (3 x Nominal pressure) | 12 bar | ± 0.5 % | 1 | 8 | | | | | | | |
| 0 ... + 6 bar | max. 12 bar (2 x Nominal pressure) | 12 bar | ± 0.4 % | 1 | 9 | | | | | | | |
| 0 ... + 10 bar | max. 20 bar (2 x Nominal pressure) | 20 bar | ± 0.4 % | 3 | 0 | | | | | | | |
| 0 ... + 16 bar | max. 32 bar (2 x Nominal pressure) | 32 bar | ± 0.4 % | 3 | 1 | | | | | | | |
| 0 ... + 25 bar | max. 50 bar (2 x Nominal pressure) | 50 bar | ± 0.4 % | 3 | 2 | | | | | | | |
| ▲ Fullscale signal at these pressures | | | | | | | | | | | | |
| Sealing material | FPM | Fluoro elastomer | | 0 | | | | | | | | |
| | EPDM | Ethylene propylene | | 1 | | | | | | | | |
| | NBR | Butadiene Acrylonitrile | | 2 | | | | | | | | |
| | MVQ | Silicone polymer | | 3 | | | | | | | | |
| Adjustment | Factory | | | | 0 | | | | | | | |
| Output / power supply | 0 ... 5 V | 11 ... 33 VDC / 24 VAC ±15% | | | | | | | | 0 | | |
| | 0 ... 10 V | 18 ... 33 VDC / 24 VAC ±15% | | | | | | | | 1 | | |
| | 4 ... 20 mA | 11 ... 33 VDC | | | | | | | | 7 | | |
| | ration. 10 ... 90% | 5 VDC ±5% | | | | | | | | 9 | | |
| Electrical connection | Cable 1.5 m, PG7 | | | | | | | | | | 0 | |
| | Connector ³⁾ | DIN EN 175301-803-A | | | | | | | | | 1 | |
| | Connector ³⁾ | DIN EN 60130-9 | | | | | | | | | 3 | |
| Pressure connection | Inside thread | Stainless steel ½ -27 NPT or PVDF G ½ | | | | | | | | | | 0 |
| | Hose connection | CuZn nickel plated | for tube inside Ø 4 mm | | | | | | | | | 1 |
| | Hose connection | Stainless steel 1.4571 / AISI 316Ti | for tube inside Ø 4 mm | | | | | | | | | E |
| | Hose connection | CuZn nickel plated | for tube inside Ø 6 mm | | | | | | | | | 2 |
| | Hose connection | PVDF | for tube inside Ø 6 mm | | | | | | | | | 3 |
| | Hose connection | Stainless steel 1.4571 / AISI 316Ti | for tube inside Ø 6 mm | | | | | | | | | 2 |
| | Screw fitting | CuZn nickel plated | for pipe outside Ø 6 mm | | | | | | | | | 4 |
| | Screw fitting | Stainless steel 1.4305 / AISI 303 | for pipe outside Ø 6 mm | | | | | | | | | 5 |
| | Screw fitting | PVDF | for pipe outside Ø 6 mm | | | | | | | | | 8 |
| | Screw fitting | CuZn nickel plated | for pipe outside Ø 8 mm | | | | | | | | | 2 |
| | Screw fitting | Stainless steel 1.4305 / AISI 303 | for pipe outside Ø 8 mm | | | | | | | | | 6 |
| | Screw fitting | PVDF | for pipe outside Ø 8 mm | | | | | | | | | 7 |
| | Screw fitting | PVDF | for pipe outside Ø 8 mm | | | | | | | | | 9 |
| | Screw fitting | PVDF | for pipe outside Ø 8 mm | | | | | | | | | 2 |
| | Outside thread | 7/16 -20 UNF CuZn nickel plated | | | | | | | | | | A |
| | Adapter inside | G ½ Stainless steel 1.4305 / AISI 303 | | | | | | | | | | B |
| | Adapter outside | G ½ CuZn nickel plated | with union nut | | | | | | | | | C |
| Case | Stainless steel | 1.4305 / AISI 303 | | | | | | | | | | 1 |
| | PVDF | all ranges up to 6 bar max., overload on one side and system pressure max. 12 bar | | | | | | | | | | 2 |
| | Stainless steel with pressure tip orifice | | | | | | | | | | | 4 |
| Pressure range variation | Indicate W and state range on order (e.g.: W0... + 8bar/OUT1...6V) | | | | | | | | | | | |
| | | | | | | | | | | | | W |

Accessories

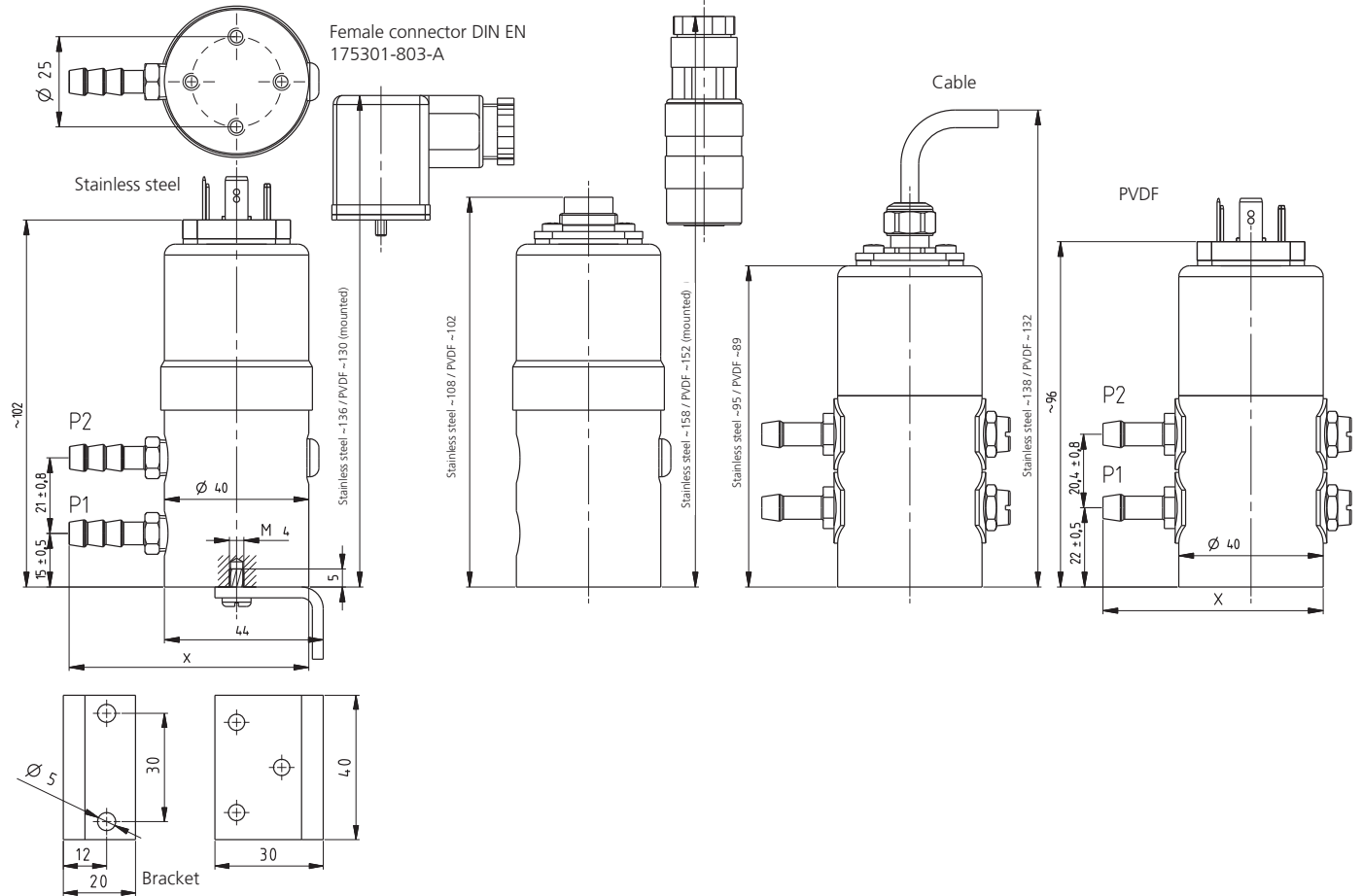
| | Order number |
|--|---|
| Female connector DIN EN 175301-803-A with seal | IP 65, when installed and screwed 103510 |
| Female connector DIN EN 60130-9 | IP 65, when installed and screwed 103524 |
| Mounting bracket incl. screws | 101999 |
| Calibration certificate | 104551 |

¹⁾ TC = Temperature coefficient

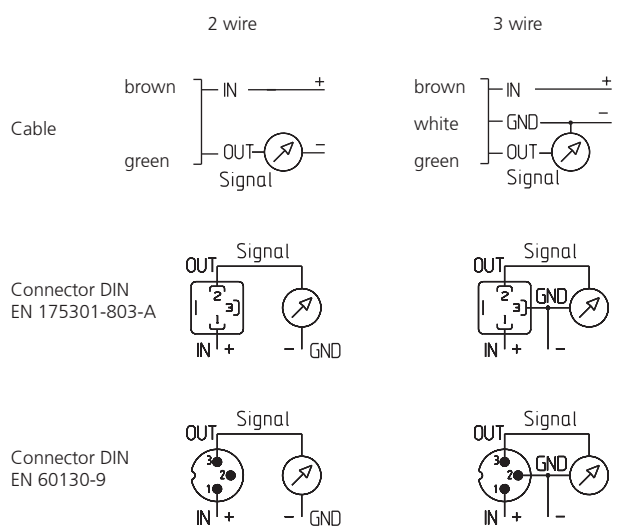
¹⁾ Other pressure range on request

²⁾ Delivery without female connector

Female Connector
DIN EN 60130-9



| | | | | |
|--|--------------------------------------|------------------------------------|--------------|--------------|
| | Stainless steel 1.4305 AISI 303 | Screw fitting for pipe outside Ø 6 | L~24 X~65 | a=10 b=12 |
| | Stainless Steel 1.4305 AISI 303 | Screw fitting for pipe outside Ø 8 | L~26 X~67 | a=12 b=14 |
| | Stainless Steel 1.4305 AISI 303 | Inside thread G 1/4 | L~12 X~53 | a=14 |
| | CuZn nickel plated | Screw fitting for pipe outside Ø 6 | L~24 X~65 | a=10 b=12 |
| | CuZn nickel plated | Screw fitting for pipe outside Ø 8 | L~25 X~66 | a=12 b=14 |
| | CuZn nickel plated | Hose connection for tube Ø 4 | L~20 X~61 | a=10 |
| | Stainless steel 1.4571 AISI 316Ti | Hose connection for tube Ø 6 | L~25 X~66 | a=10 |
| | CuZn nickel plated | Outside thread G 1/4 | L~20 X~61 | a=10 b=12 |
| | CuZn nickel plated | Outside thread 7/16-20 UNF | L~18 X~59 | a=14 |
| | PVDF | Screw fitting for pipe Ø 6 | L~20 X~61 | a=12 |
| | PVDF | Screw fitting for pipe Ø 8 | L~23 X~64 | a=14 |
| | PVDF | Hose connection for tube Ø 6 | L~20 X~61 | a=10 |



Huba Control AG
Headquarters

Industriestrasse 17
5436 Würenlos
Telefon +41 (0) 56 436 82 00
Telefax +41 (0) 56 436 82 82
info.ch@hubacontrol.com

Huba Control AG
Niederlassung Deutschland

Schlattgrabenstrasse 24
72141 Walddorfhäslach
Telefon +49 (0) 7127 23 93 00
Telefax +49 (0) 7127 23 93 20
info.de@hubacontrol.com

Huba Control SA
Succursale France

Rue Lavoisier
Technopôle Forbach-Sud
57602 Forbach Cedex
Téléphone +33 (0) 387 847 300
Télécopieur +33 (0) 387 847 301
info.fr@hubacontrol.com

Huba Control AG
Vestiging Nederland

Hamseweg 20A
3828 AD Hoogland
Telefoon +31 (0) 33 433 03 66
Telefax +31 (0) 33 433 03 77
info.nl@hubacontrol.com

Huba Control AG
Branch Office United Kingdom

Unit 13 Berkshire House
County Park Business Centre
Shrivenham Road
Swindon - Wiltshire SN1 2NR
Phone +44 (0) 1993 776667
Fax +44 (0) 1993 776671
info.uk@hubacontrol.com